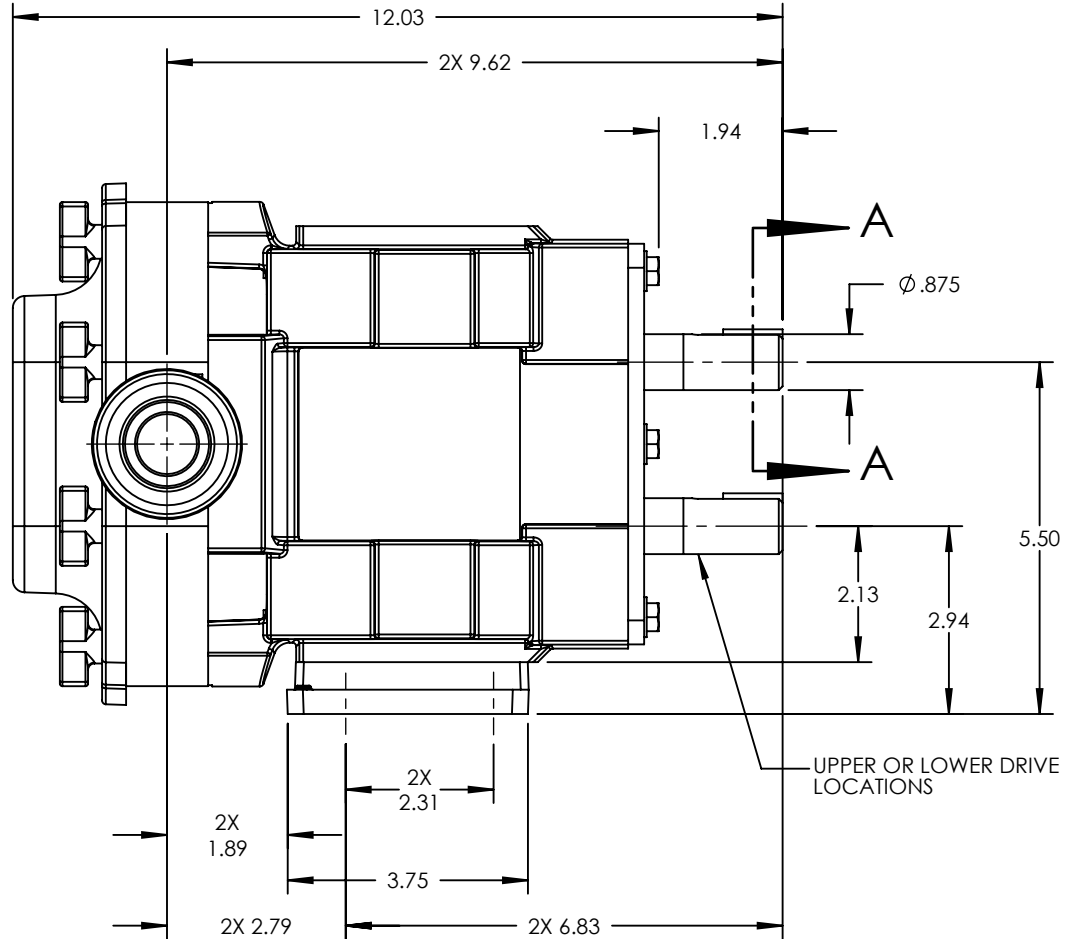
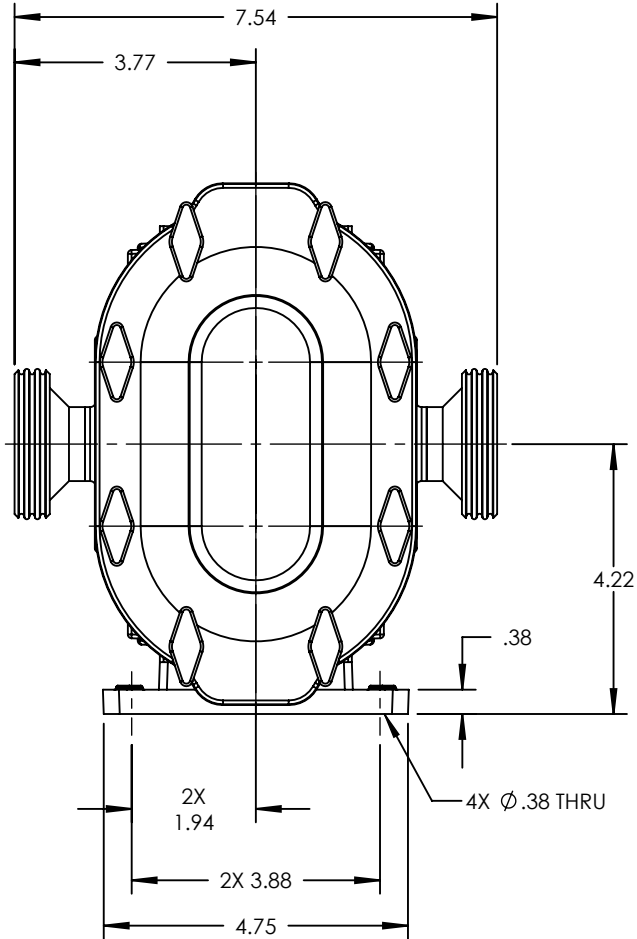
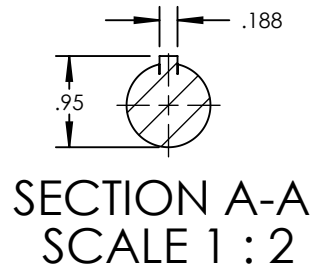


PUMP MODEL	TRA10-0150
ORIENTATION	HORIZONTAL
COVER	STANDARD
INLET	1.5" SMS
DISCHARGE	1.5" SMS
SPECIALS	NONE



NOTES:
1. THIS IS NOT A CERTIFIED DRAWING. USE FOR GENERAL INSTALLATION ONLY.

STATE	Released	11/25/2014	DIMENSIONS ARE IN INCHES		<small>Wrightflow Technologies, A Unit of IDEX Corporation Cedar Falls, IA 50613 U.S.A. Eastborne, East Sussex, BN23 6PT UK</small>	<small>THIS DRAWING IS THE PROPERTY OF WRIGHTFLOW TECHNOLOGIES AND IS PROPRIETARY IN GENERAL AND DETAIL. IT SHALL NOT BE COPIED OR ITS CONTENTS REVEALED TO OUTSIDE PARTIES WITHOUT THE WRITTEN CONSENT OF WRIGHTFLOW TECHNOLOGIES</small>	3D	DWG. NO. TRA10-0150-025	SHEET 1 OF 2	REV. A.0
DRAWN	cneff	11/25/2014								
CHECKED	CJN	11/25/2014	WAS:							

