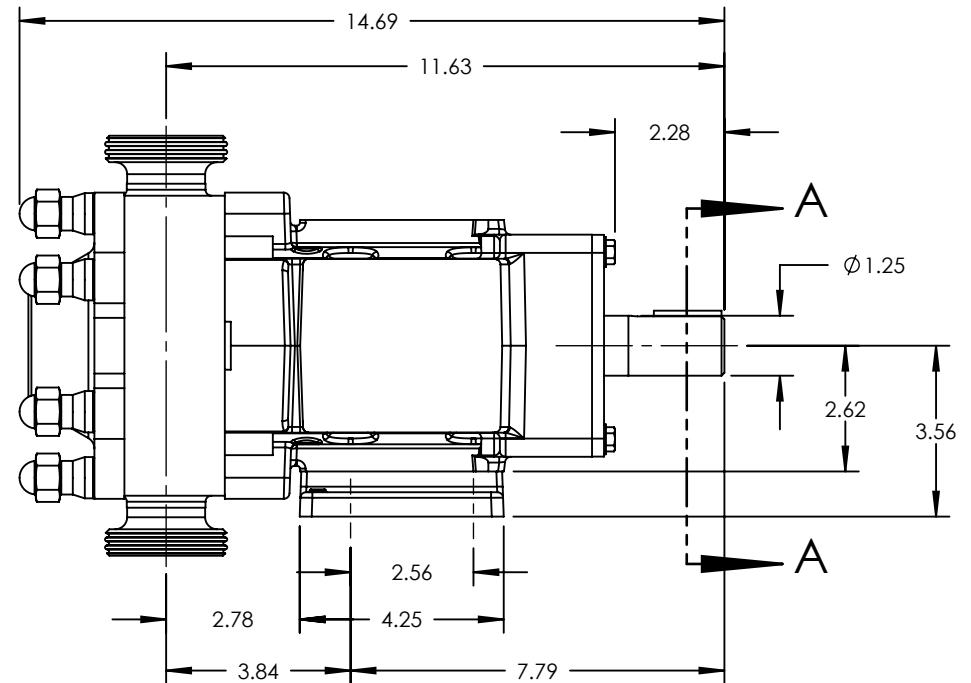
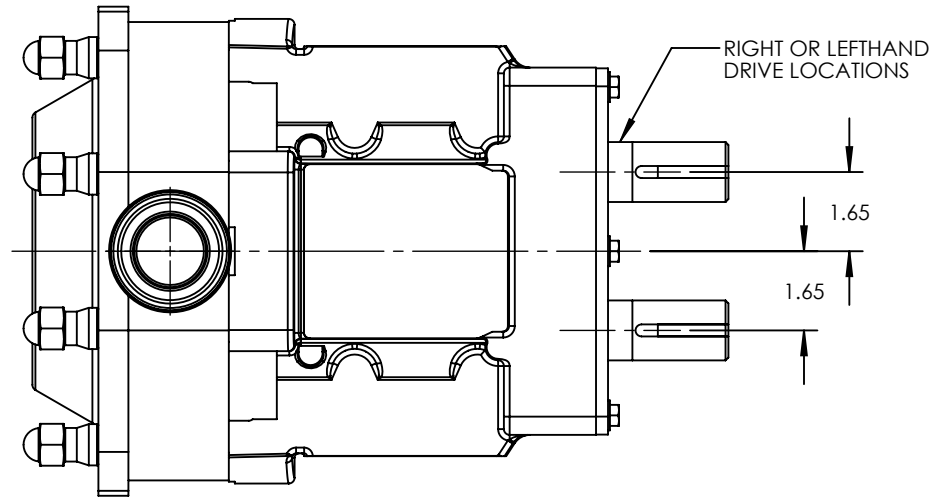
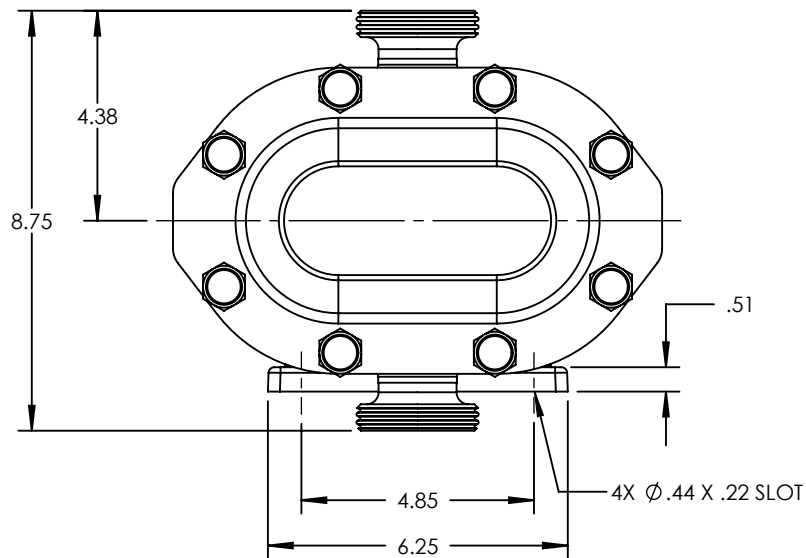
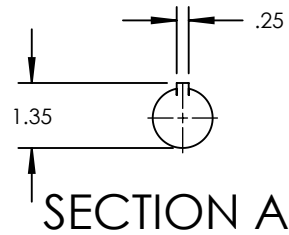


PUMP MODEL	TRA20-0300
ORIENTATION	VERTICAL
COVER TYPE	STANDARD
INLET	1.5" DIN11851
DISCHARGE	1.5" DIN 11851
SPECIALS	NONE



NOTES:

- THIS IS NOT A CERTIFIED DRAWING. USE FOR GENERAL INSTALLATION ONLY.

STATE	Released	09/15/2016	DIMENSIONS ARE IN INCHES		Wrightflow Technologies, A Unit of IDEX Corporation Cedar Falls, IA 50613 U.S.A. Eastborne, East Sussex, BN23 6PT UK	THIS DRAWING IS THE PROPERTY OF WRIGHTFLOW TECHNOLOGIES AND IS PROPRIETARY IN GENERAL AND DETAIL. IT SHALL NOT BE COPIED OR ITS CONTENTS REVEALED TO OUTSIDE PARTIES WITHOUT THE WRITTEN CONSENT OF WRIGHTFLOW TECHNOLOGIES	3D	DWG. NO.	SHEET 1 OF 2	REV. A.0
DRAWN	jgerbig	9/15/2016						PROJECT:	TRA20-0300-032	09/15/2016
CHECKED	JAG	09/15/2016	WAS:							

