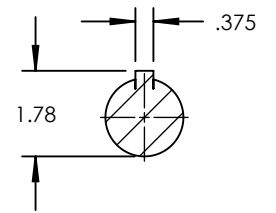
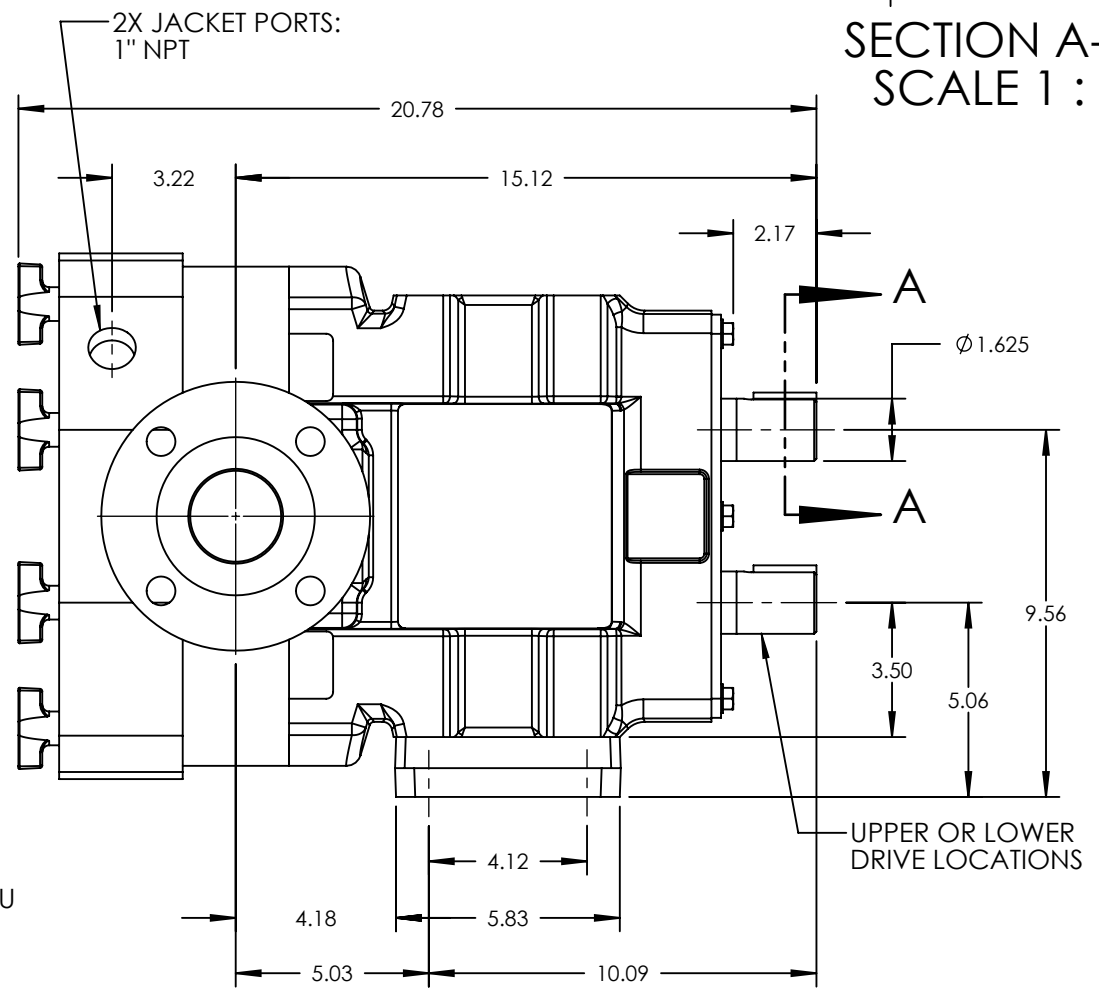
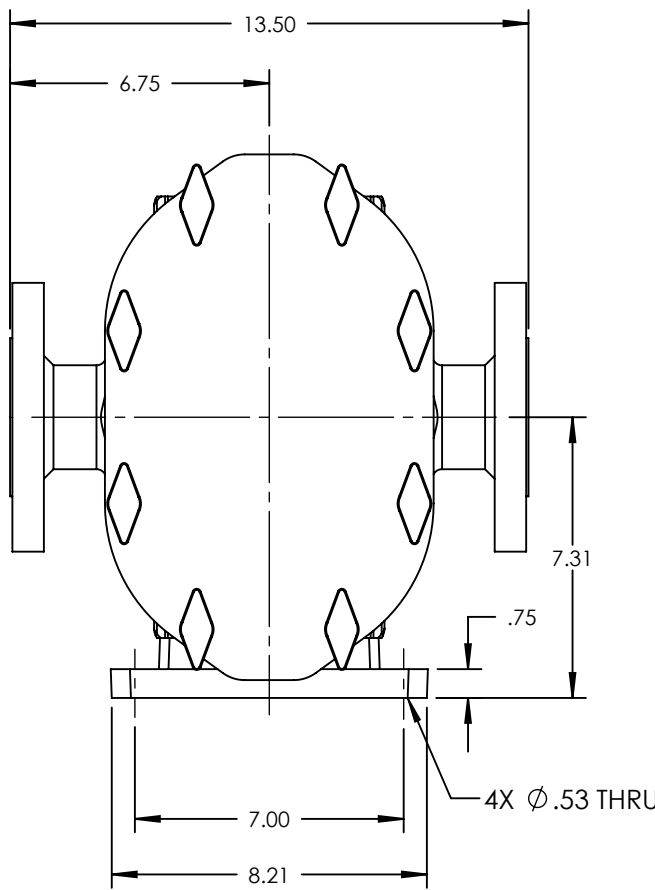


PUMP MODEL	TRA10-0600
ORIENTATION	HORIZONTAL
COVER	JACKETED
INLET	2.5" ANSI CLASS 150 RF FLANGE
DISCHARGE	2.5" ANSI CLASS 150 RF FLANGE
SPECIALS	NONE



SECTION A-A
SCALE 1 : 4



NOTES:
1. THIS IS NOT A CERTIFIED DRAWING. USE FOR GENERAL INSTALLATION ONLY.

STATE	Released	01/12/2016	DIMENSIONS ARE IN INCHES		Wrightflow Technologies, A Unit of IDEX Corporation Cedar Falls, IA 50613 U.S.A. Eastborne, East Sussex, BN23 6PT UK	THIS DRAWING IS THE PROPERTY OF WRIGHTFLOW TECHNOLOGIES AND IS PROPRIETARY IN GENERAL AND DETAIL. IT SHALL NOT BE COPIED OR ITS CONTENTS REVEALED TO OUTSIDE PARTIES WITHOUT THE WRITTEN CONSENT OF WRIGHTFLOW TECHNOLOGIES	DWG. NO. TRA10-0600-006	SHEET 1 OF 2	REV. E.0 01/12/2016
DRAWN	jgerbig	1/8/2016							
CHECKED	JAG	01/08/2016	WAS:						

