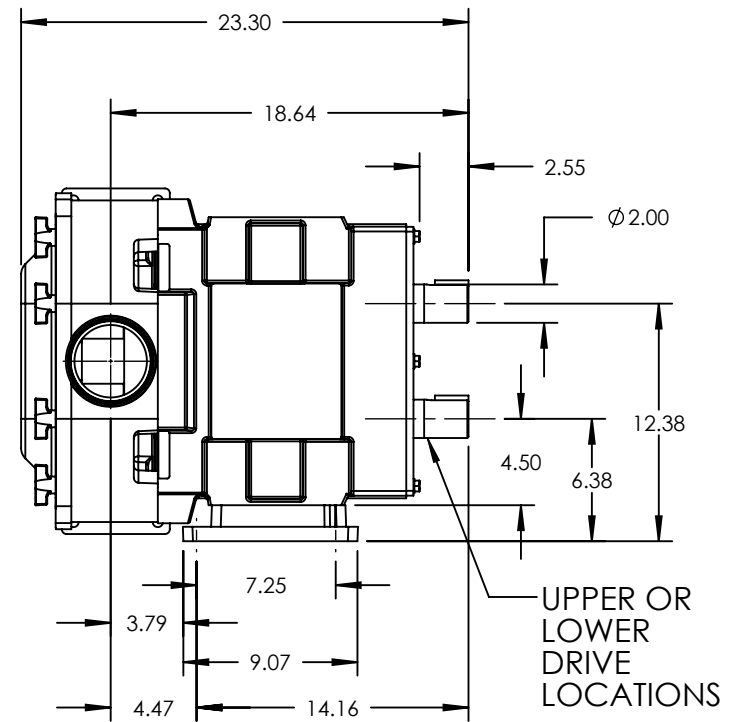
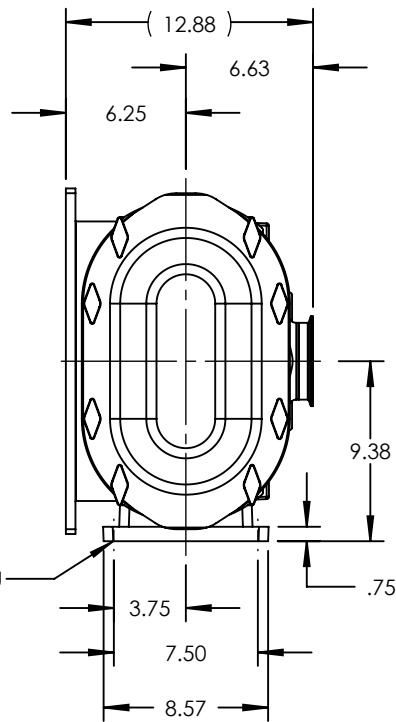
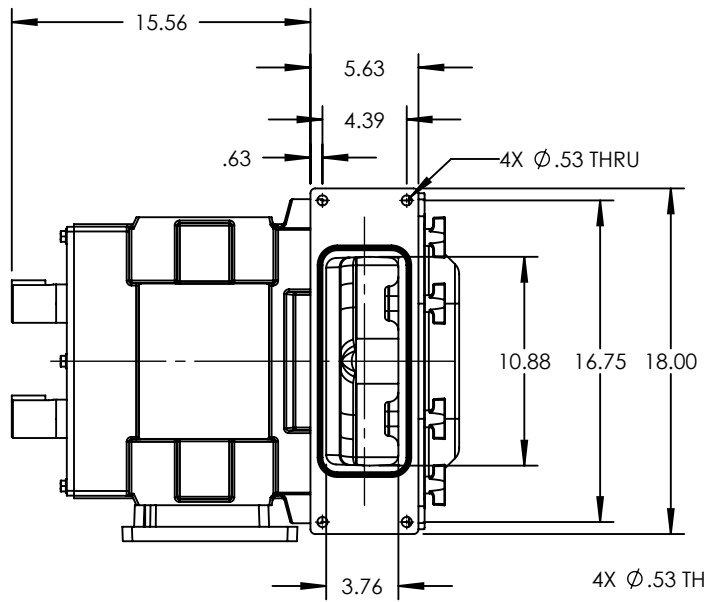
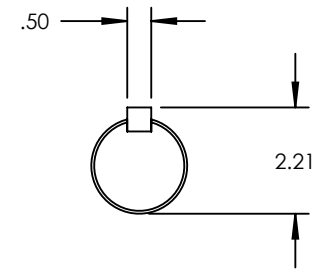


PUMP MODEL	TRA10-2240
ORIENTATION	HORIZONTAL
COVER	STANDARD
INLET	RECTANGULAR FLANGE
DISCHARGE	4.0" TRI-CLAMP
SPECIALS	NONE



STATE	Check	09/27/2013
DRAWN	cneff	9/27/2013
CHECKED	-	-

DIMENSIONS ARE IN INCHES
PROJECT:
WAS:



THIS DRAWING IS THE PROPERTY OF WRIGHTFLOW TECHNOLOGIES AND IS PROPRIETARY IN GENERAL AND DETAIL. IT SHALL NOT BE COPIED OR ITS CONTENTS REVEALED TO OUTSIDE PARTIES WITHOUT THE WRITTEN CONSENT OF WRIGHTFLOW TECHNOLOGIES

3D

DWG. NO. TRA10-2240-006
SHEET 1 OF 1

REV. B.0