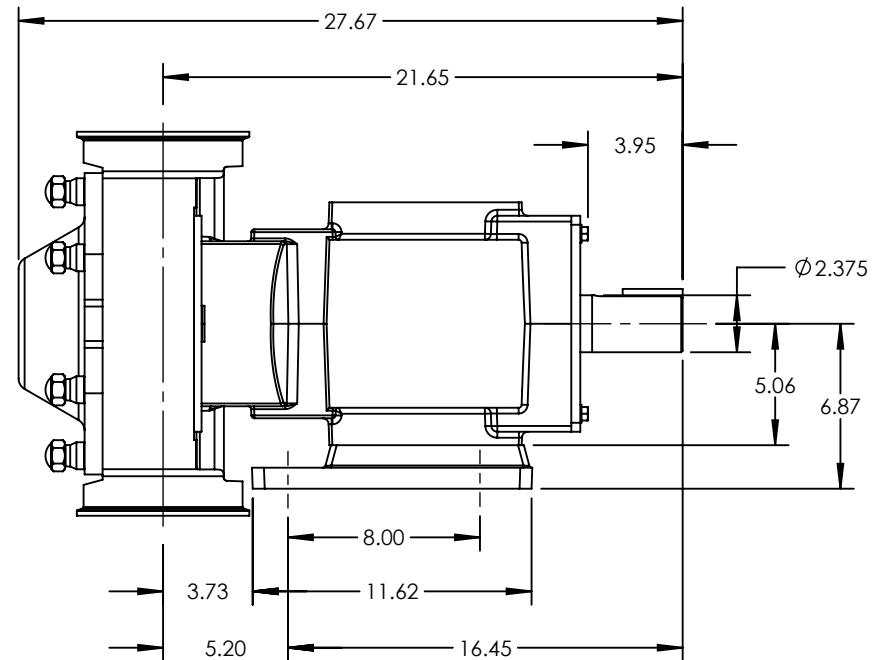
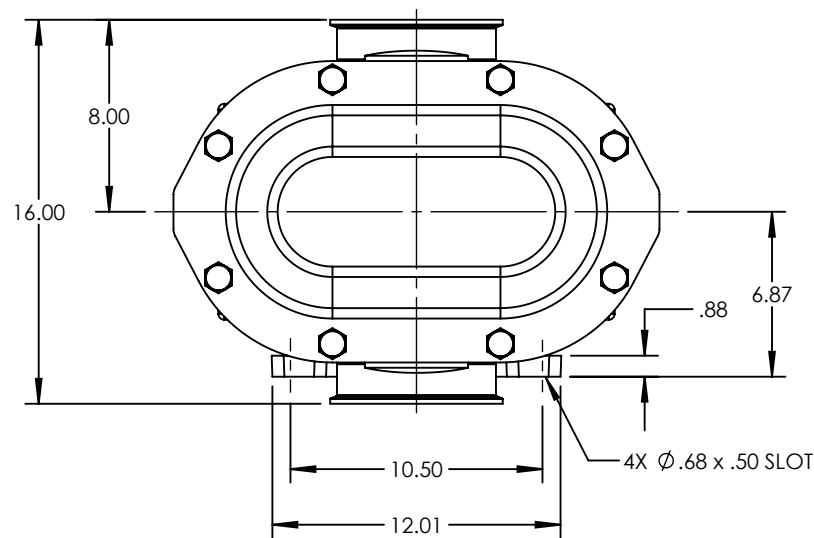
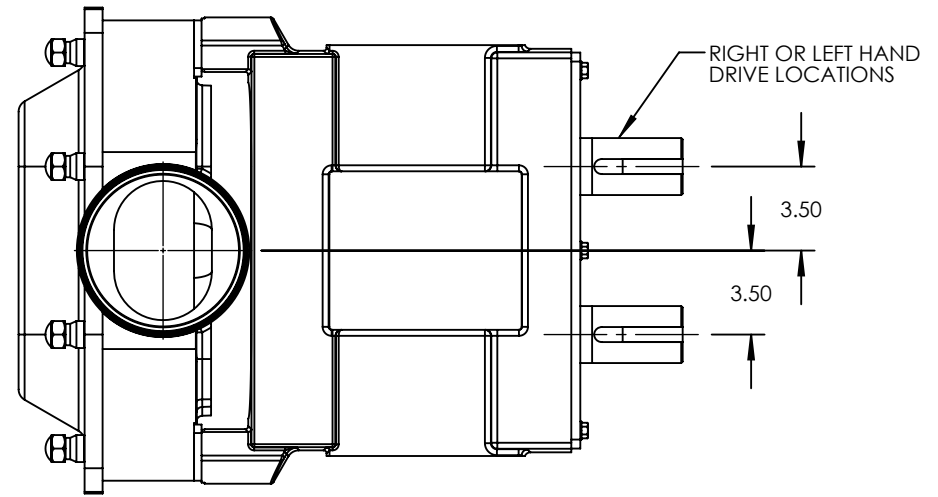


PUMP MODEL	TRA20-3200
ORIENTATION	VERTICAL
COVER	STANDARD
INLET	6.0" TRI-CLAMP, SCHEDULE 5
DISCHARGE	6.0" TRI-CLAMP, SCHEDULE 5
SPECIALS	NONE



NOTES:

1. THIS IS NOT A CERTIFIED DRAWING. USE FOR GENERAL INSTALLATION ONLY.

STATE	Released	05/19/2022	DIMENSIONS ARE IN INCHES	 VIKING PUMP, INC. A Unit of IDEX Corporation Cedar Falls, IA 50613 U.S.A. VIKINGPUMP.COM	THIS DRAWING IS THE PROPERTY OF VIKING PUMP, INC. AND IS PROPRIETARY IN GENERAL AND DETAIL. IT SHALL NOT BE COPIED OR ITS CONTENTS REVEALED TO OUTSIDE PARTIES WITHOUT THE WRITTEN CONSENT OF VIKING PUMP, INC.	3D	DWG. NO.	SHEET 1 OF 1	REV. A.1	
DRAWN	cmihm	12/18/2012					PROJECT:	TRA20-3200-006		
CHECKED	CJM	05/19/2022					WAS:			05/19/2022