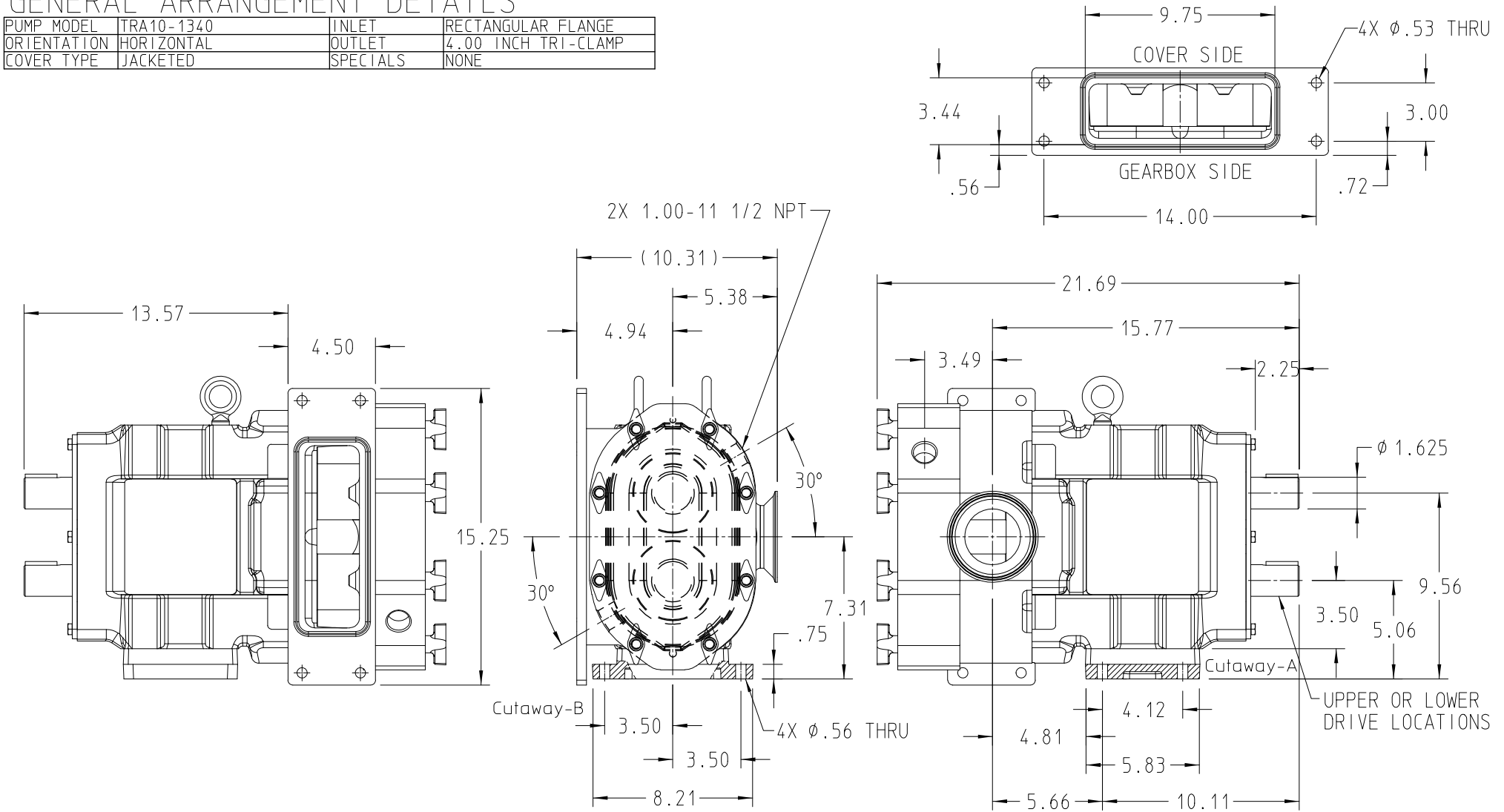


# GENERAL ARRANGEMENT DETAILS

PUMP MODEL	TRA10-1340	INLET	RECTANGULAR FLANGE
ORIENTATION	HORIZONTAL	OUTLET	4.00 INCH TRI-CLAMP
COVER TYPE	JACKETED	SPECIALS	NONE



THIS IS NOT A CERTIFIED DRAWING. USE FOR GENERAL INSTALLATION ONLY.  
 PUMP SHOWN WITH TRI-CLAMP CONNECTION. FOR OTHER CONNECTIONS, CONTACT FACTORY.

USE & RELATED INFORMATION  
 Created from OSDM

THIS DRAWING IS THE PROPERTY OF  
 WRIGHT PUMP AND IS PROPRIETARY  
 IN GENERAL AND DETAIL. IT SHALL NOT  
 BE COPIED OR ITS CONTENTS REVEALED  
 TO OUTSIDE PARTIES WITHOUT WRITTEN  
 CONSENT OF WRIGHT PUMP

DRAWN	MIHM	03 JAN 2012
CHECKED	CJM	03 JAN 2012
APPROVED		
SCALE 1 = 5		INCH DIM.

**wrightflow**  
 TECHNOLOGIES

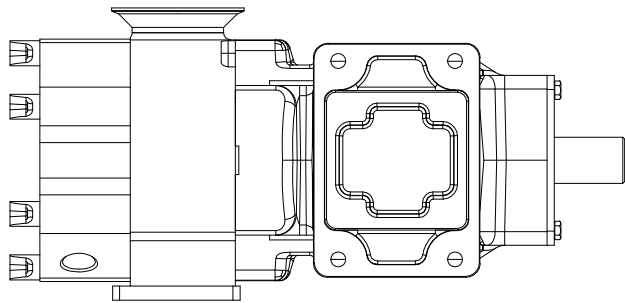
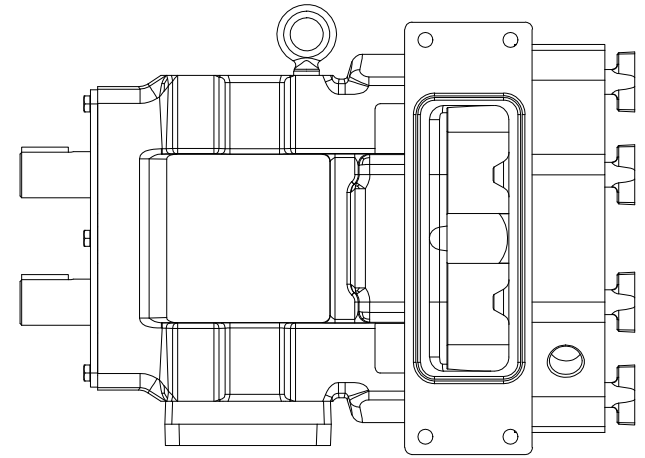
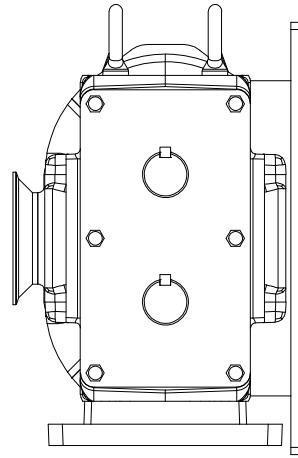
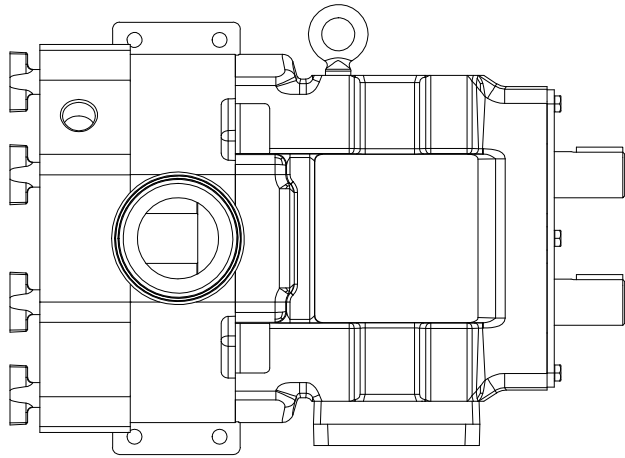
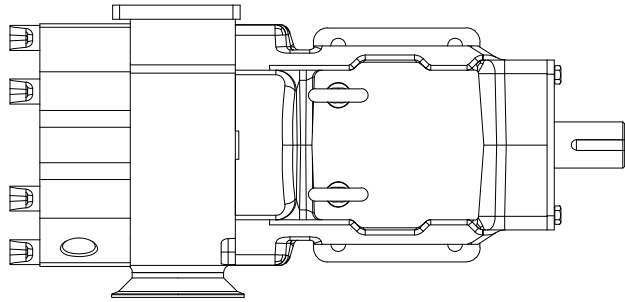
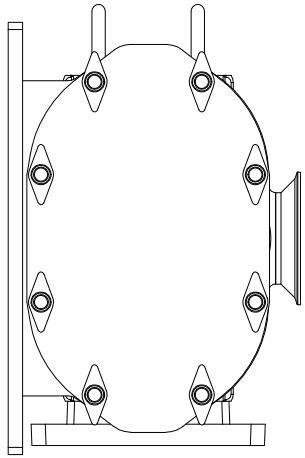
A Unit of  
**DEX**  
 CORPORATION  
 Muskego, WI 53150  
 U.S.A.

ASSEMBLY OF TRA10 MODEL 1340

DRAWING  
 NUMBER TRA10-1340-009

THIRD ANGLE  
 PROJECTION

REV A.1  
 09 JAN 2012



THIS IS NOT A CERTIFIED DRAWING, USE FOR GENERAL INSTALLATION ONLY

REVISED DRAWING DATE: 01/20/2016 DRAWN BY: J. H. HARRIS CHECKED BY: J. H. HARRIS SCALE: 1:1 TYPED BY: J. H. HARRIS	F. N. DOBET ASK 1511 W. 10th St. #101 DENVER, CO 80202 TEL: 303.733.1111 FAX: 303.733.1112 WWW.FNDASKELECTRIC.COM	ROBERT & PAUL HARRIS, INC. 1511 W. 10th St. #101 DENVER, CO 80202 TEL: 303.733.1111 FAX: 303.733.1112 WWW.FNDASKELECTRIC.COM	HARRIS D 01/20/2016 18A10-1340-009
---	--	---	--