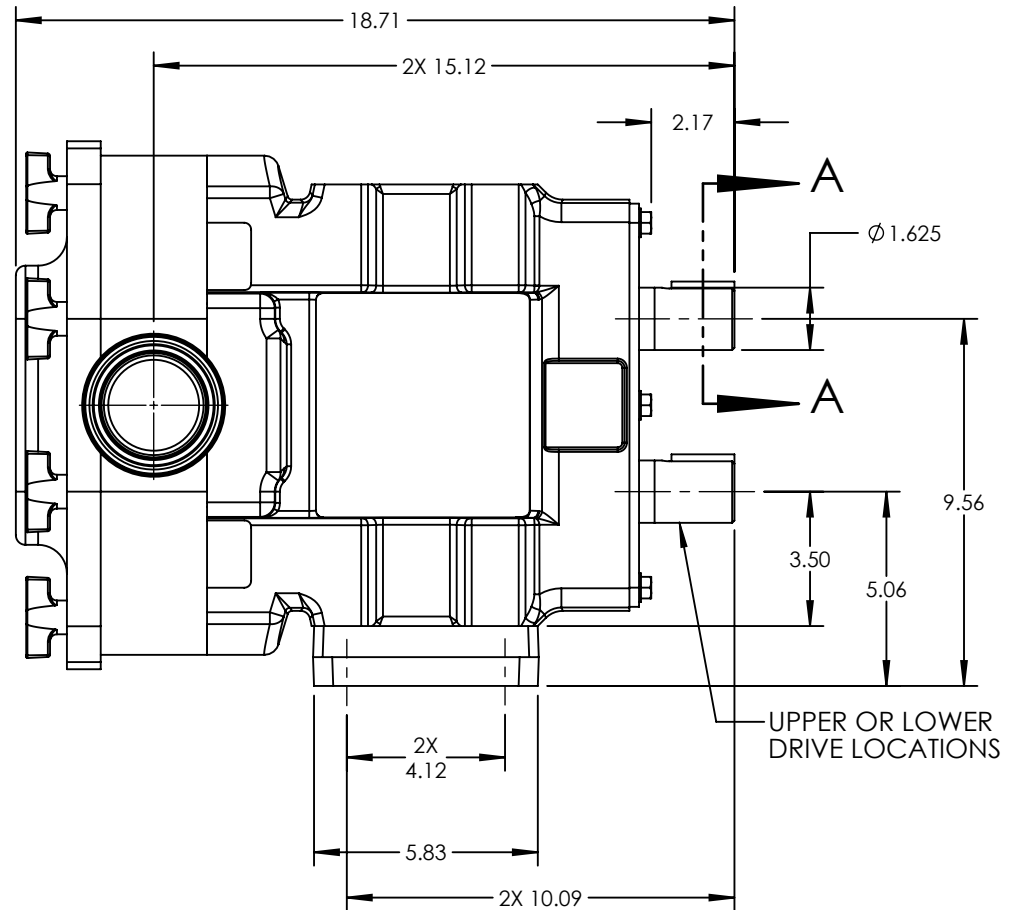
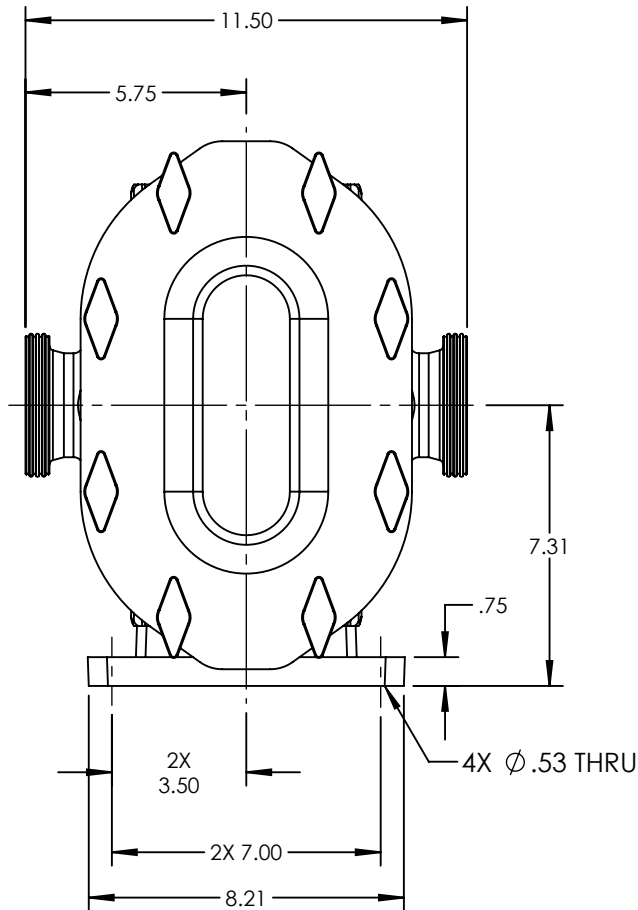
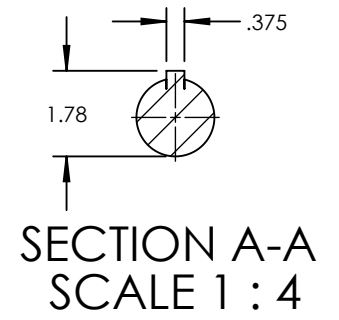


|             |                |
|-------------|----------------|
| PUMP MODEL  | TRA10-0600     |
| ORIENTATION | HORIZONTAL     |
| COVER       | STANDARD       |
| INLET       | 2.5" DIN 11851 |
| DISCHARGE   | 2.5" DIN 11851 |
| SPECIALS    | NONE           |



NOTES:  
1. THIS IS NOT A CERTIFIED DRAWING. USE FOR GENERAL INSTALLATION ONLY.

|         |          |            |
|---------|----------|------------|
| STATE   | Released | 06/22/2022 |
| DRAWN   | cneff    | 12/9/2014  |
| CHECKED | CJM      | 06/22/2022 |

DIMENSIONS ARE IN  
INCHES  
PROJECT:  
WAS:



**VIKING PUMP, INC.**  
A Unit of IDEX Corporation  
Cedar Falls, IA 50613 U.S.A.  
VIKINGPUMP.COM

THIS DRAWING IS THE PROPERTY OF  
VIKING PUMP, INC. AND IS PROPRIETARY  
IN GENERAL AND DETAIL. IT SHALL NOT BE  
COPIED OR ITS CONTENTS REVEALED TO  
OUTSIDE PARTIES WITHOUT THE WRITTEN  
CONSENT OF VIKING PUMP, INC.

**3D**

DWG. NO. TRA10-0600-015  
SHEET 1 OF 1

REV. B.1  
06/22/2022