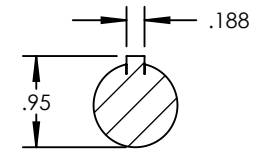
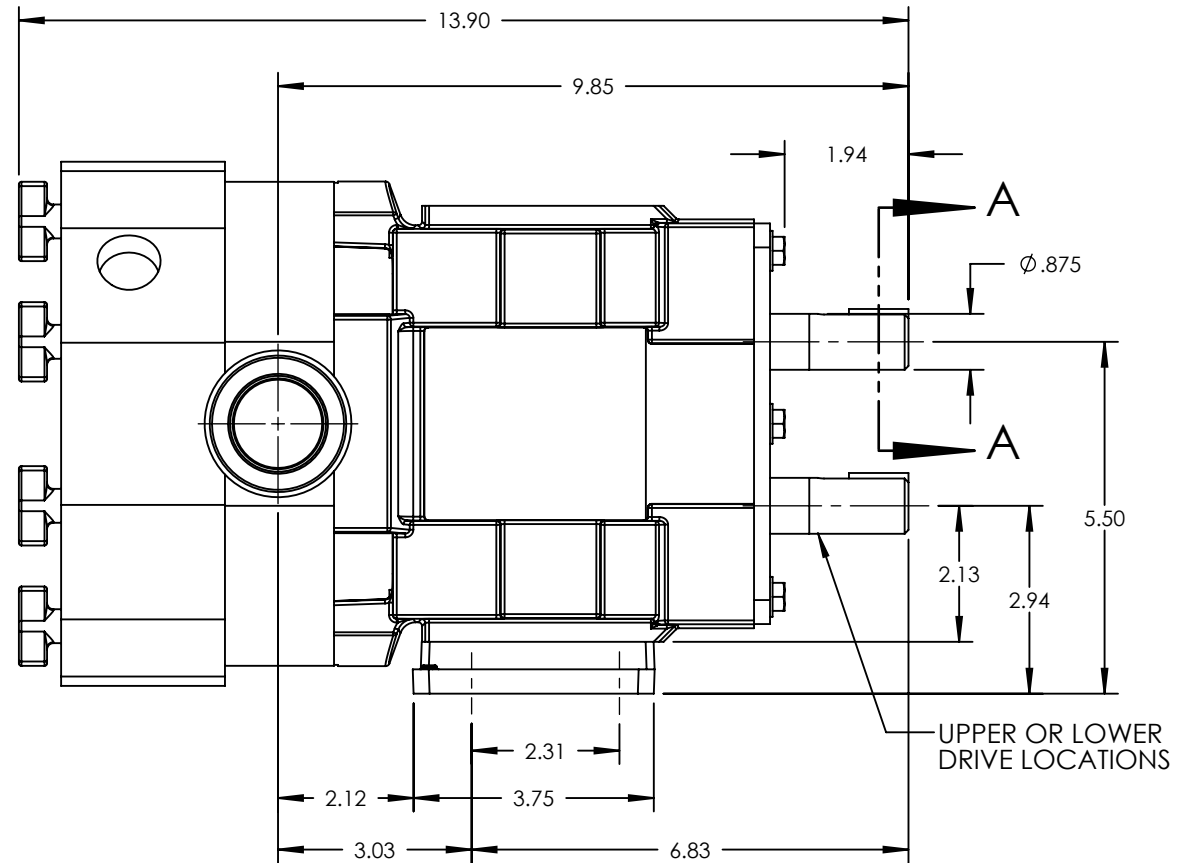
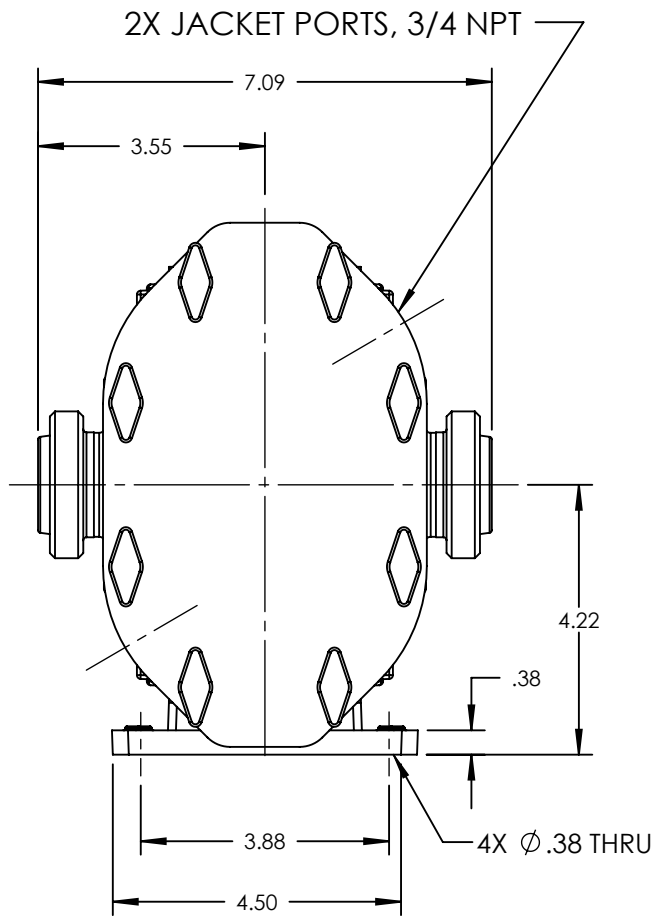


| | |
|-------------|------------|
| PUMP MODEL | TRA10-0180 |
| ORIENTATION | HORIZONTAL |
| COVER | JACKETED |
| INLET | 1.5" RJT |
| DISCHARGE | 1.5" RJT |
| SPECIALS | NONE |



SECTION A-A
SCALE 1 : 2



NOTES:

1. THIS IS NOT A CERTIFIED DRAWING. USE FOR GENERAL INSTALLATION ONLY.

| | | | | | | | | | | |
|---------|----------|------------|--------------------------|--|---|--|-----------|----------|----------------|------------|
| STATE | Released | 12/11/2012 | DIMENSIONS ARE IN INCHES | | <small>Wrightflow Technologies, A Unit of IDEX Corporation Cedar Falls, IA 50613 U.S.A. Eastborne, East Sussex, BN23 6PT UK</small> | <small>THIS DRAWING IS THE PROPERTY OF WRIGHTFLOW TECHNOLOGIES AND IS PROPRIETARY IN GENERAL AND DETAIL. IT SHALL NOT BE COPIED OR ITS CONTENTS REVEALED TO OUTSIDE PARTIES WITHOUT THE WRITTEN CONSENT OF WRIGHTFLOW TECHNOLOGIES</small> | 3D | DWG. NO. | SHEET 1 OF 2 | REV. A.0 |
| DRAWN | cmihm | 12/7/2012 | | | | | | PROJECT: | TRA10-0180-026 | 12/11/2012 |
| CHECKED | CJM | 12/07/2012 | WAS: | | | | | | | |

