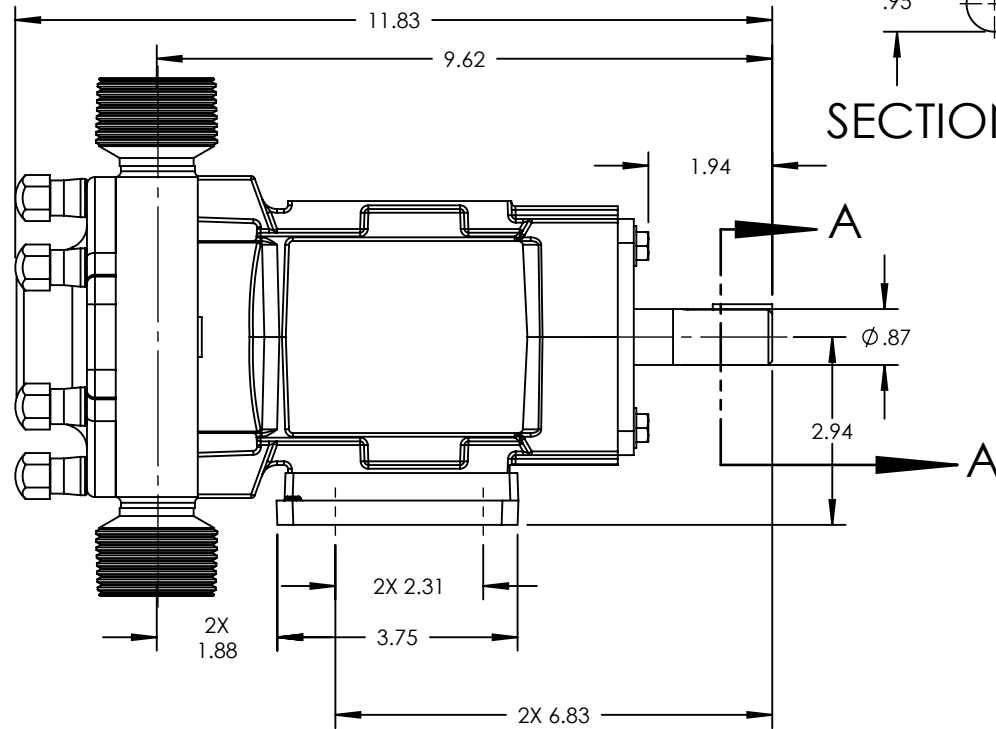
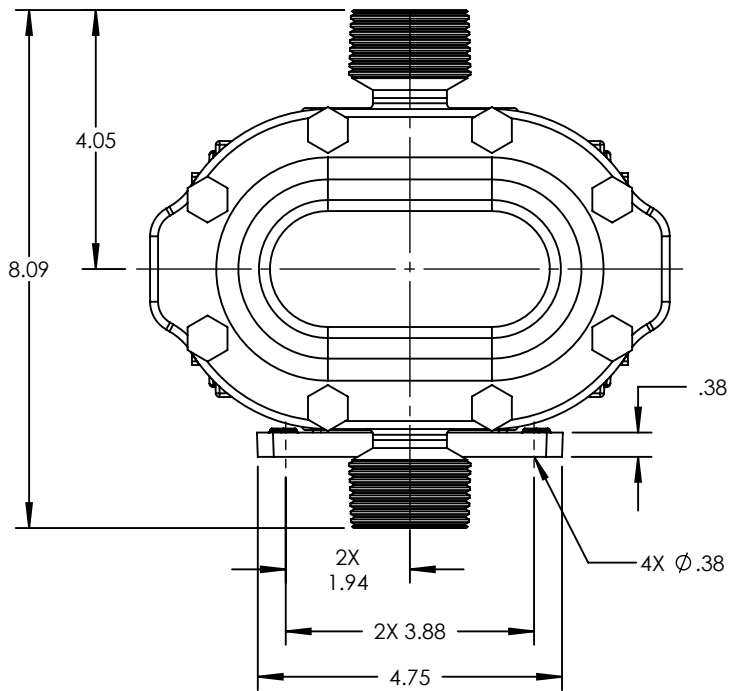
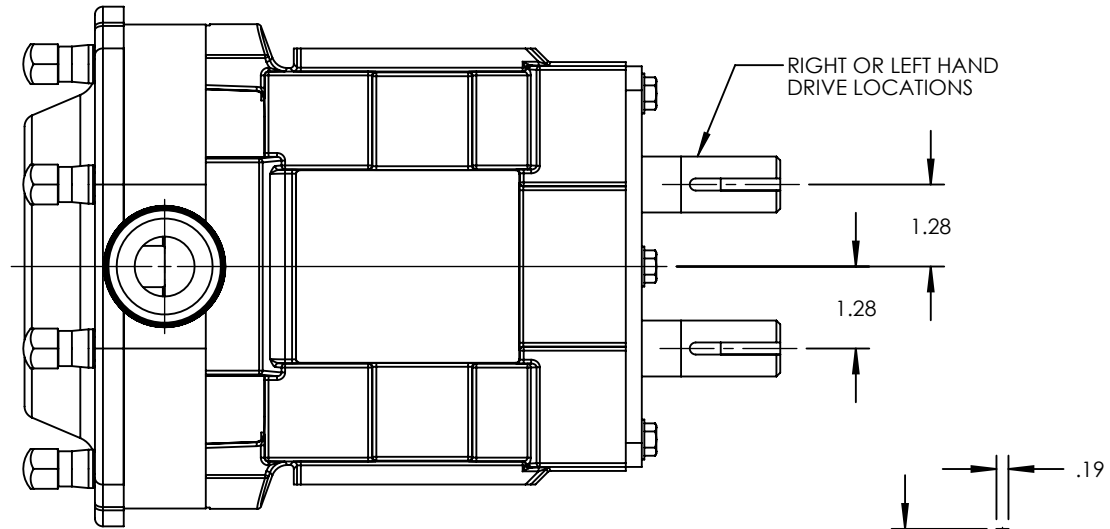


PUMP MODEL	TRA20-0150
ORIENTATION	VERTICAL
COVER	STANDARD
INLET	1.5" NPT
DISCHARGE	1.5" NPT
SPECIALS	NONE



NOTES:  
1. THIS IS NOT A CERTIFIED DRAWING. USE FOR GENERAL INSTALLATION ONLY.

STATE	Released	08/06/2015
DRAWN	cneff	8/6/2015
CHECKED	CJN	08/06/2015

DIMENSIONS ARE IN INCHES	
PROJECT:	
WAS:	

**wrightflow**  
TECHNOLOGIES  
Wrightflow Technologies,  
A Unit of IDEX Corporation  
Cedar Falls, IA 50613 U.S.A.  
Eastborne, East Sussex, BN23 6PT UK

THIS DRAWING IS THE PROPERTY OF WRIGHTFLOW TECHNOLOGIES AND IS PROPRIETARY IN GENERAL AND DETAIL. IT SHALL NOT BE COPIED OR ITS CONTENTS REVEALED TO OUTSIDE PARTIES WITHOUT THE WRITTEN CONSENT OF WRIGHTFLOW TECHNOLOGIES

**3D**

DWG. NO. TRA20-0150-015  
SHEET 1 OF 2

REV. A.0

