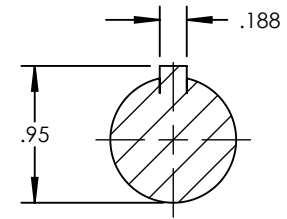
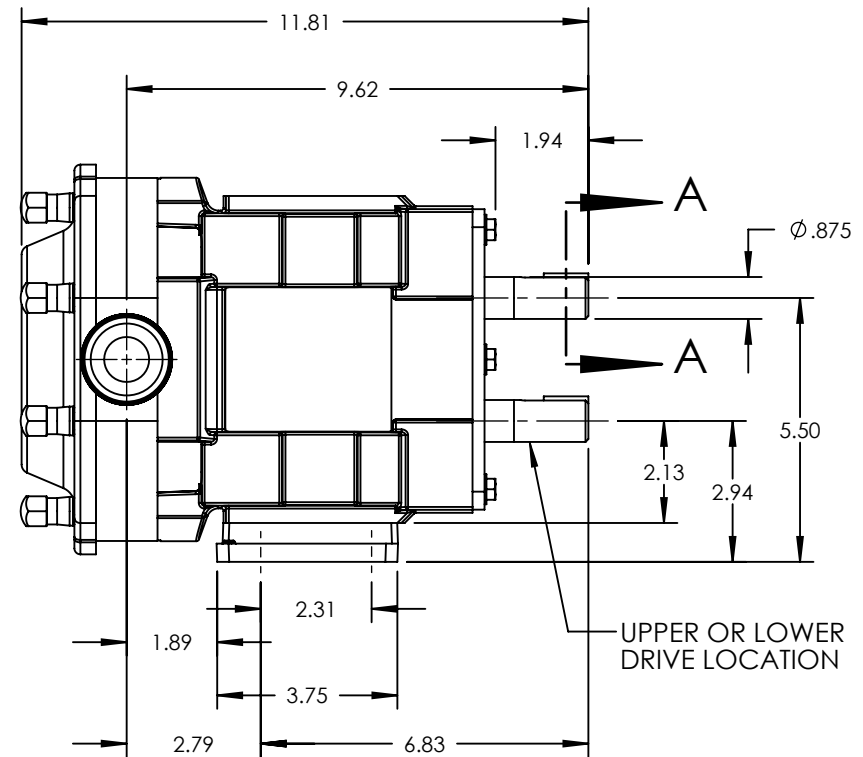
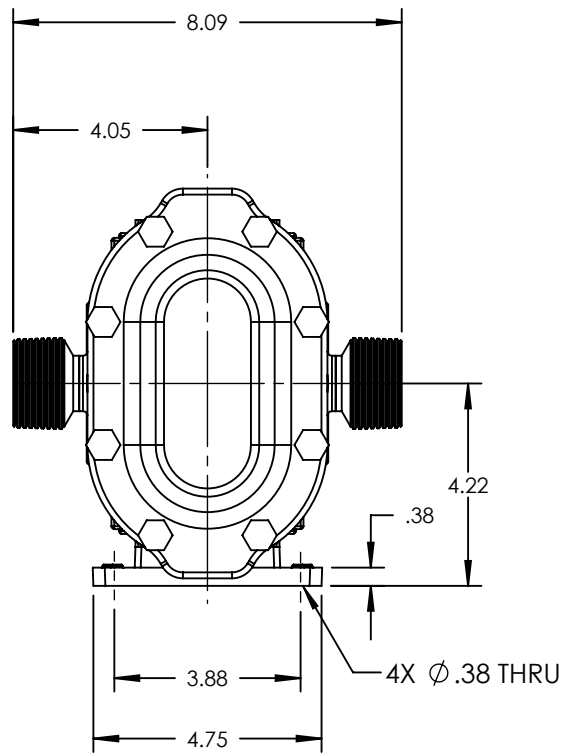


PUMP MODEL	TRA20-0150
ORIENTATION	HORIZONTAL
COVER TYPE	STANDARD
INLET	1.5" NPT
DISCHARGE	1.5" NPT
SPECIALS	NONE



SECTION A-A
SCALE 3 : 4



NOTES:

- THIS IS NOT A CERTIFIED DRAWING. USE FOR GENERAL INSTALLATION ONLY.

STATE	Released	08/06/2015	DIMENSIONS ARE IN INCHES		<small>Wrightflow Technologies, A Unit of IDEX Corporation Cedar Falls, IA 50613 U.S.A. Eastborne, East Sussex, BN23 6PT UK</small>	<small>THIS DRAWING IS THE PROPERTY OF WRIGHTFLOW TECHNOLOGIES AND IS PROPRIETARY IN GENERAL AND DETAIL. IT SHALL NOT BE COPIED OR ITS CONTENTS REVEALED TO OUTSIDE PARTIES WITHOUT THE WRITTEN CONSENT OF WRIGHTFLOW TECHNOLOGIES</small>	3D	DWG. NO.	SHEET 1 OF 2	REV. A.0
DRAWN	cneff	8/4/2015						PROJECT:	TRA20-0150-009	
CHECKED	CJN	08/05/2015	WAS:							

