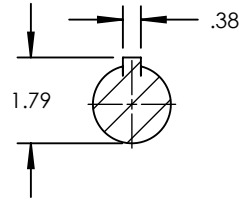
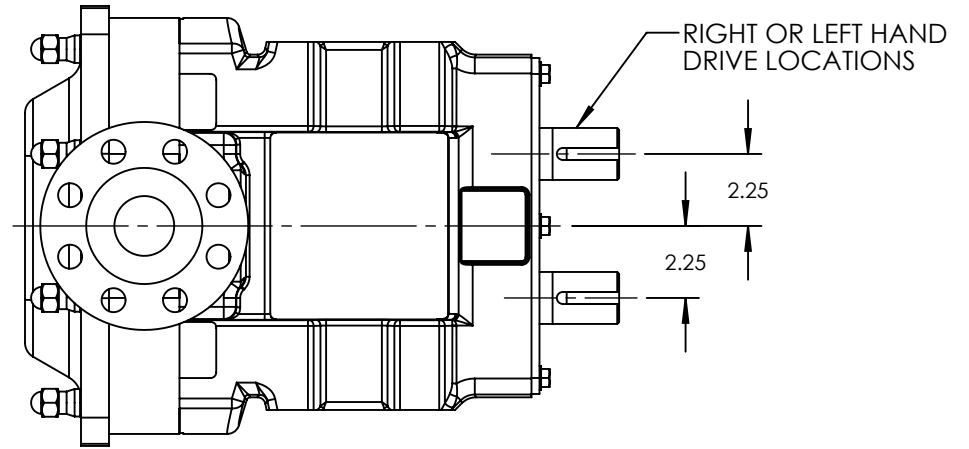
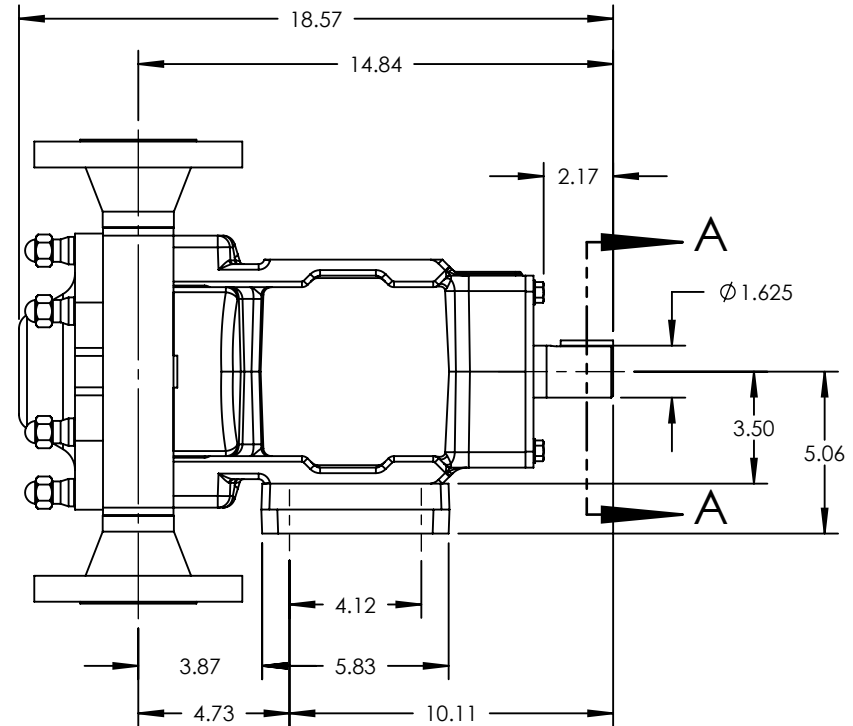
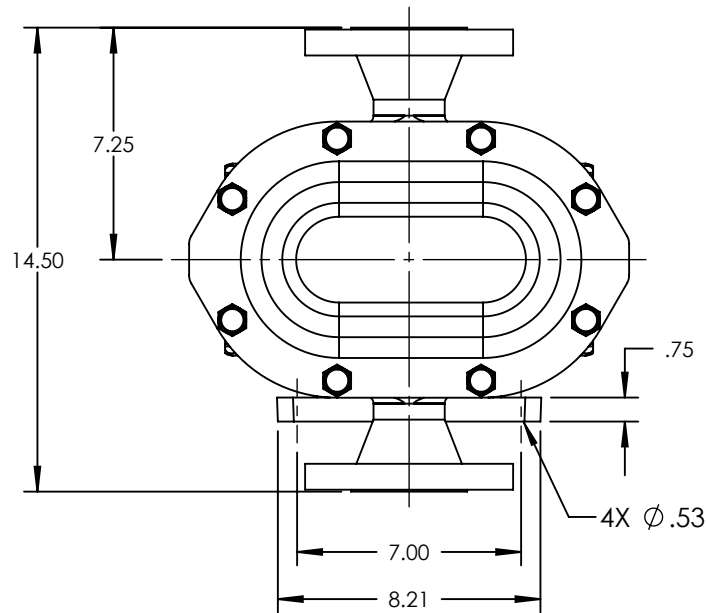


PUMP MODEL	TRA20-0450
ORIENTATION	VERTICAL
COVER	STANDARD
INLET	2.0" ANSI CLASS 300 FLANGES
DISCHARGE	2.0" ANSI CLASS 300 FLANGES
SPECIALS	NONE



SECTION A-A
SCALE 1 : 4



NOTES:

- THIS IS NOT A CERTIFIED DRAWING. USE FOR GENERAL INSTALLATION ONLY.

STATE	Released	10/26/2018	DIMENSIONS ARE IN INCHES
DRAWN	jgerbig	10/26/2018	
CHECKED	JAG	10/26/2018	
PROJECT:			WAS:
WAS:			



THIS DRAWING IS THE PROPERTY OF WRIGHTFLOW TECHNOLOGIES AND IS PROPRIETARY IN GENERAL AND DETAIL. IT SHALL NOT BE COPIED OR ITS CONTENTS REVEALED TO OUTSIDE PARTIES WITHOUT THE WRITTEN CONSENT OF WRIGHTFLOW TECHNOLOGIES

3D

DWG. NO. TRA20-0450-007
SHEET 1 OF 2

REV. B.0
10/26/2018

