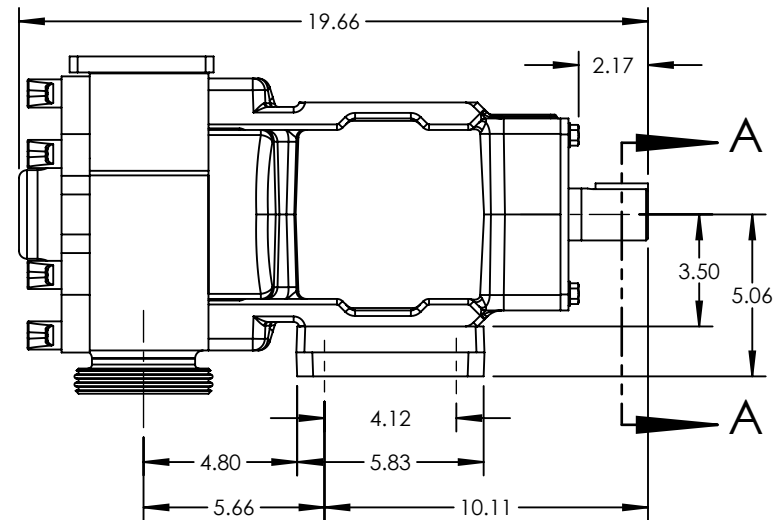
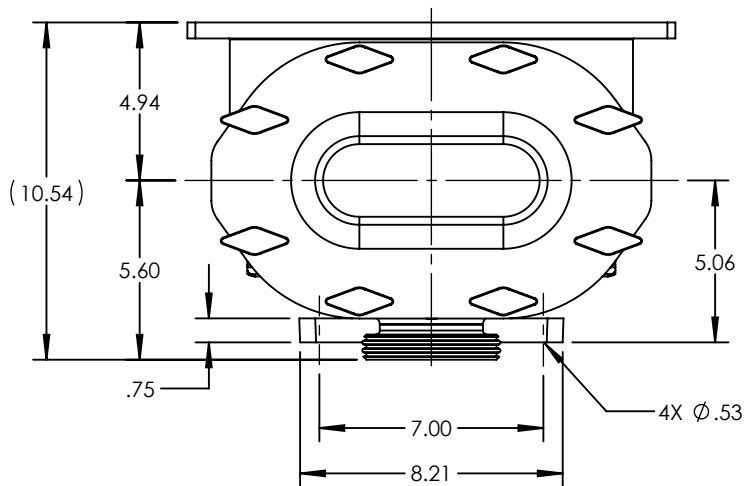
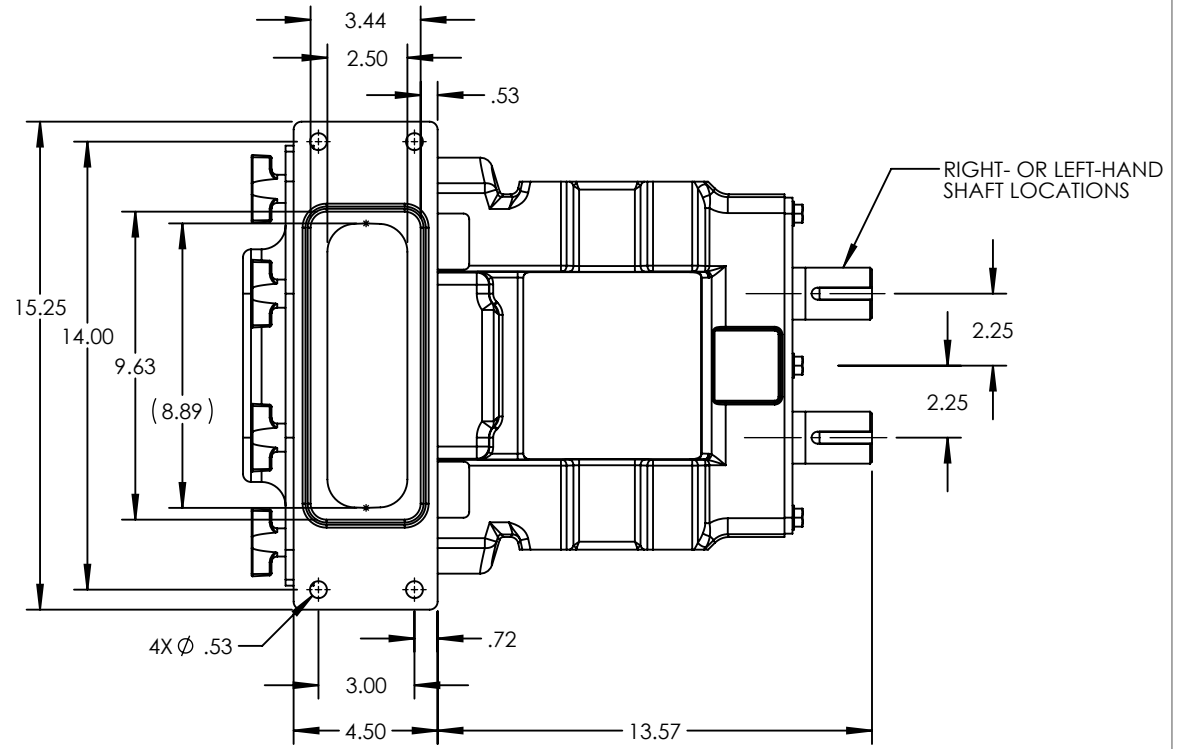
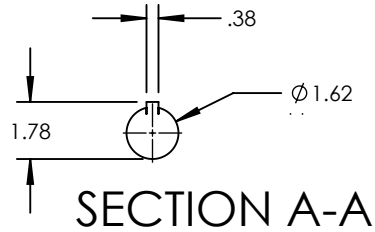


PUMP MODEL	TRA10-1340
ORIENTATION	VERTICAL
COVER	STANDARD
INLET	RECTANGULAR FLANGE
DISCHARGE	3.0" DIN 11851
SPECIALS	NONE



NOTES:
THIS IS NOT A CERTIFIED DRAWING. USE FOR GENERAL INSTALLATION ONLY.

STATE	Released	06/22/2022	DIMENSIONS ARE IN INCHES		VIKING PUMP, INC. A Unit of IDEX Corporation Cedar Falls, IA 50613 U.S.A. VIKINGPUMP.COM	THIS DRAWING IS THE PROPERTY OF VIKING PUMP, INC. AND IS PROPRIETARY IN GENERAL AND DETAIL. IT SHALL NOT BE COPIED OR ITS CONTENTS REVEALED TO OUTSIDE PARTIES WITHOUT THE WRITTEN CONSENT OF VIKING PUMP, INC.	3D	DWG. NO.	SHEET 1 OF 1	REV. B.1
DRAWN	jgerbig	12/13/2016						PROJECT:	TRA10-1340-008	06/22/2022
CHECKED	CJM	06/22/2022						WAS:		