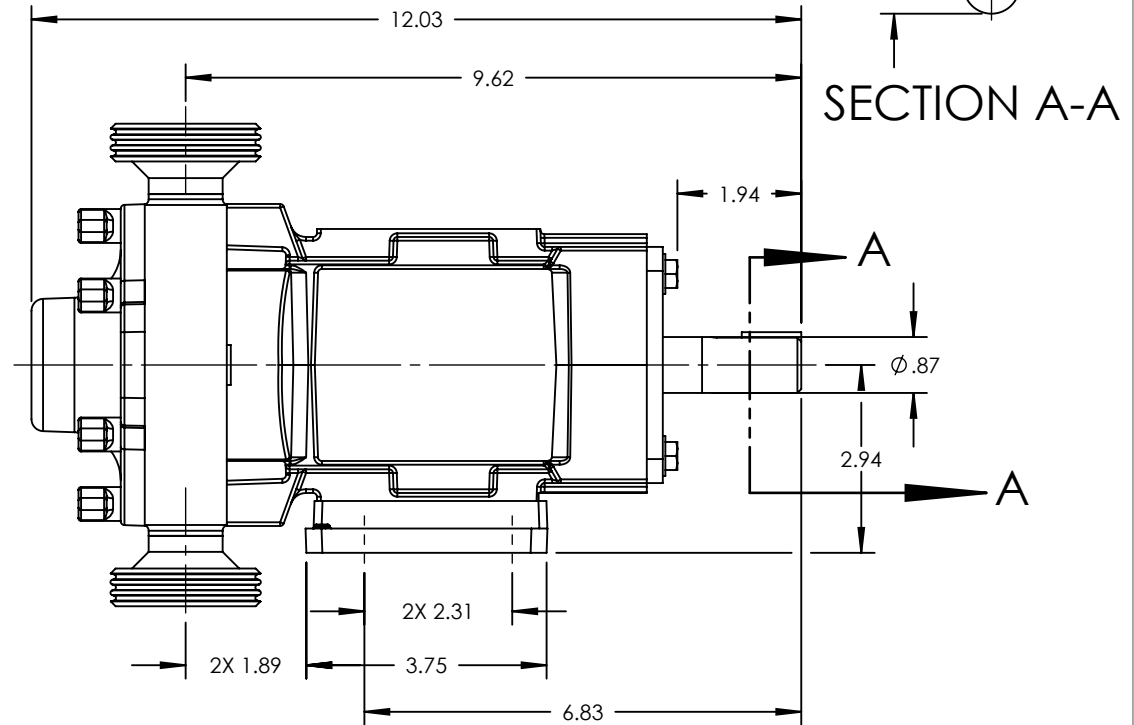
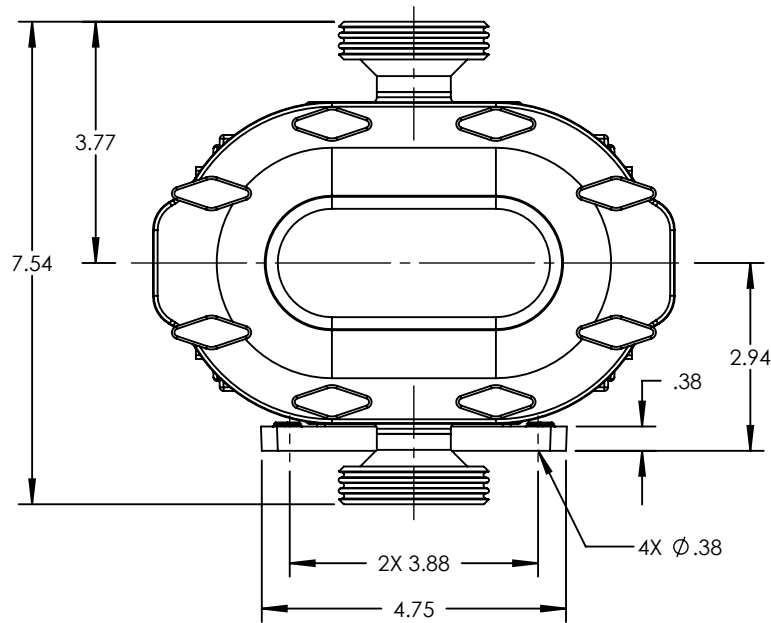
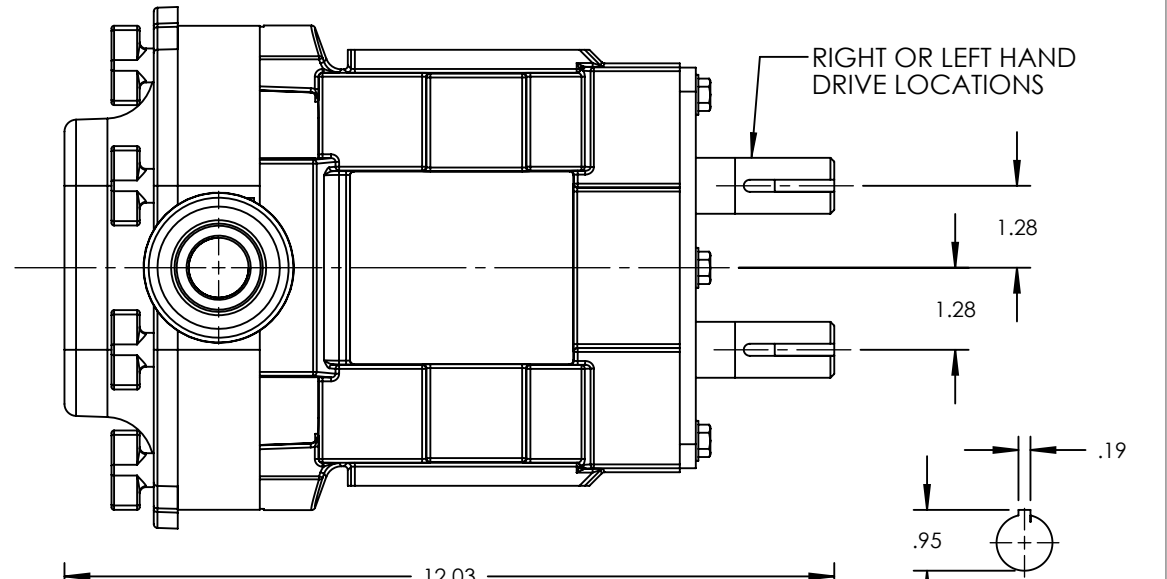


PUMP MODEL	TRA10-0060
ORIENTATION	VERTICAL
COVER	STANDARD
INLET	1.00" SMS
DISCHARGE	1.00" SMS
SPECIALS	NONE



NOTES:
 1. THIS IS NOT A CERTIFIED DRAWING. USE FOR GENERAL INSTALLATION ONLY.

STATE	Released	06/18/2020	DIMENSIONS ARE IN INCHES
DRAWN	DJaramillo	6/17/2020	
CHECKED	JDP	06/17/2020	

PROJECT:
WAS:

Wrightflow Technologies.
 A Unit of IDEX Corporation
 Cedar Falls, IA 50613 U.S.A.
 Eastborne, East Sussex, BN23 6PT UK

THIS DRAWING IS THE PROPERTY OF WRIGHTFLOW TECHNOLOGIES AND IS PROPRIETARY IN GENERAL AND DETAIL. IT SHALL NOT BE COPIED OR ITS CONTENTS REVEALED TO OUTSIDE PARTIES WITHOUT THE WRITTEN CONSENT OF WRIGHTFLOW TECHNOLOGIES

3D	DWG. NO.	SHEET 1 OF 1	REV. A.0
	TRA10-0060-023		06/18/2020