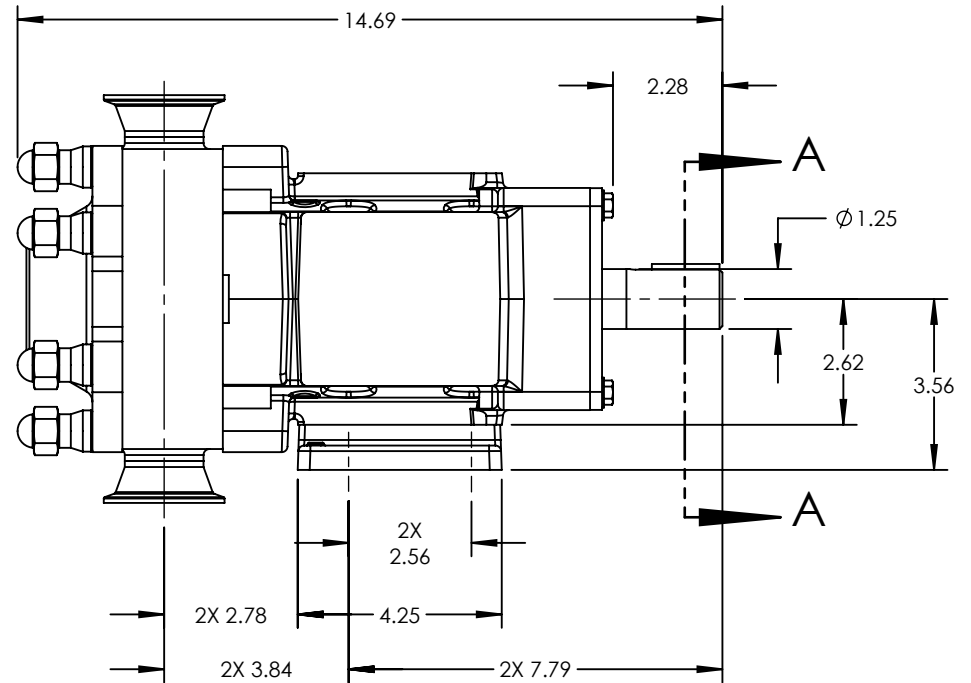
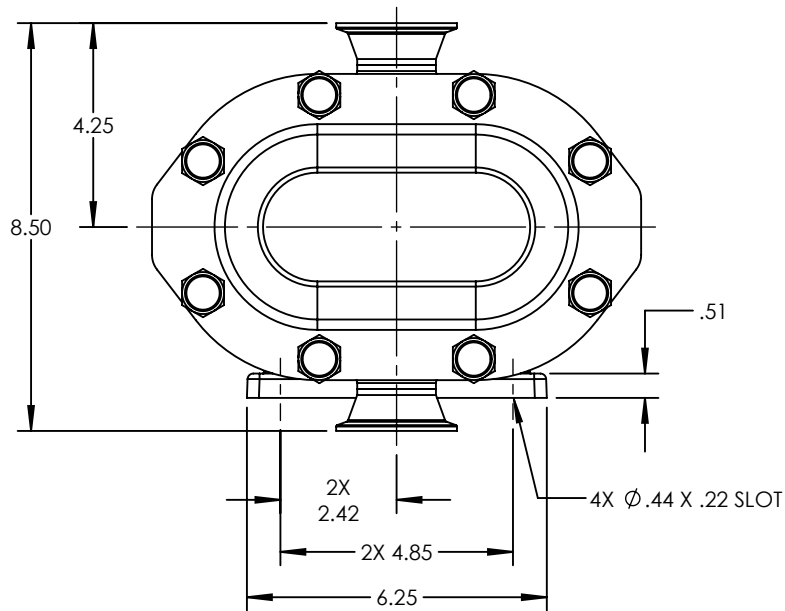
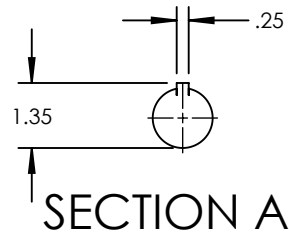
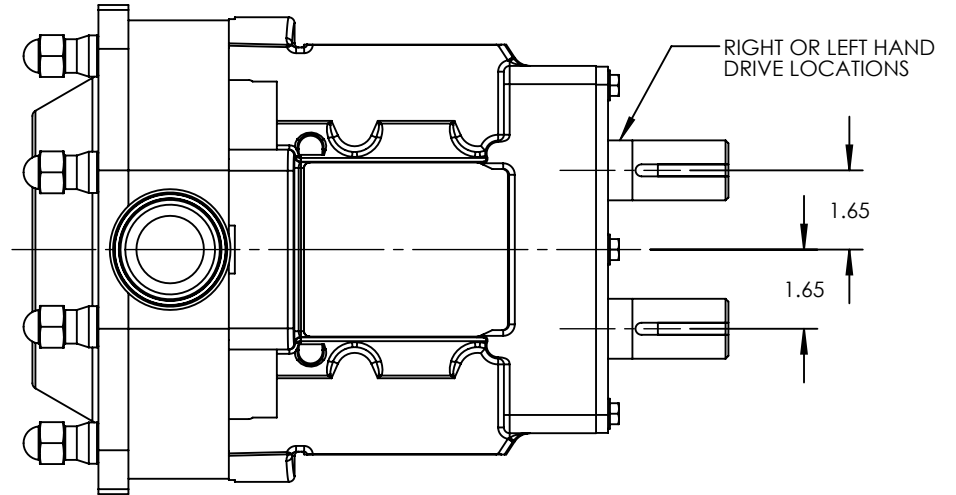


PUMP MODEL	TRA20-0300
ORIENTATION	VERTICAL
COVER TYPE	STANDARD
INLET	2.0" TRI-CLAMP
DISCHARGE	2.0" TRI-CLAMP
SPECIALS	NONE



NOTES:

1. THIS IS NOT A CERTIFIED DRAWING. USE FOR GENERAL INSTALLATION ONLY.

STATE	Released	05/19/2022
DRAWN	cneff	5/7/2014
CHECKED	CJM	05/19/2022

DIMENSIONS ARE IN INCHES	
PROJECT:	
WAS:	



**VIKING PUMP, INC.**  
A Unit of IDEX Corporation  
Cedar Falls, IA 50613 U.S.A.  
VIKINGPUMP.COM

THIS DRAWING IS THE PROPERTY OF VIKING PUMP, INC. AND IS PROPRIETARY IN GENERAL AND DETAIL. IT SHALL NOT BE COPIED OR ITS CONTENTS REVEALED TO OUTSIDE PARTIES WITHOUT THE WRITTEN CONSENT OF VIKING PUMP, INC.

**3D**

DWG. NO. TRA20-0300-029

SHEET 1 OF 1

REV. A.1

05/19/2022