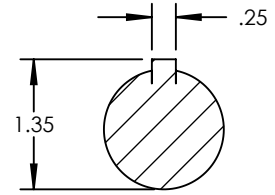
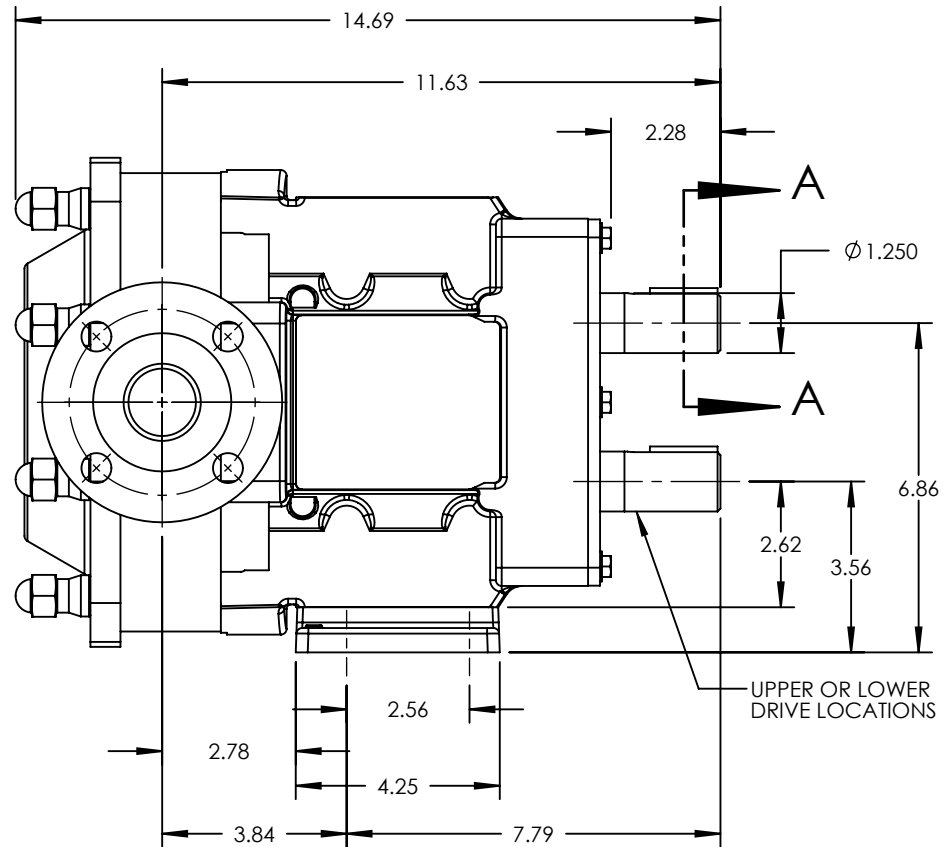
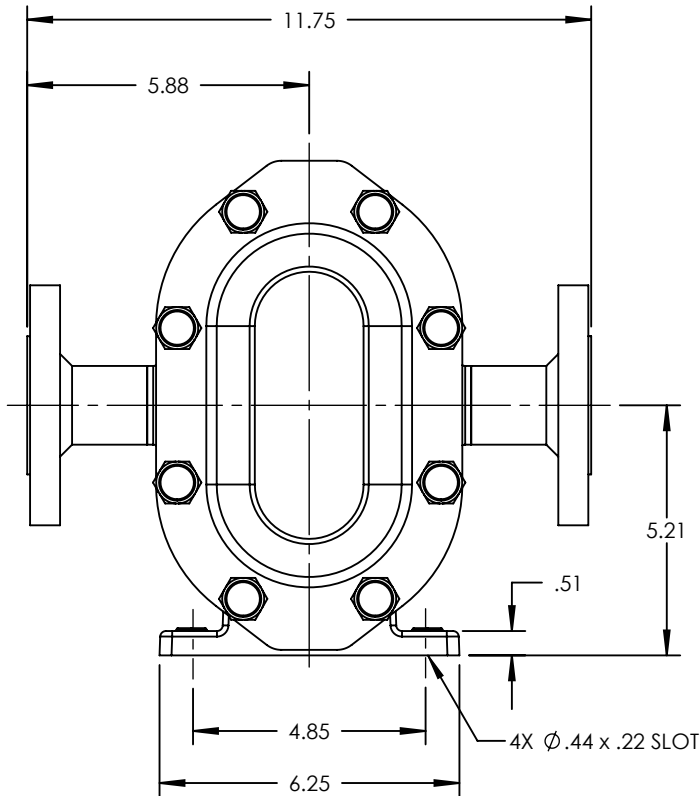


PUMP MODEL	TRA20-0300
ORIENTATION	HORIZONTAL
COVER TYPE	STANDARD
INLET	1.5" ANSI/ASA CLASS 150 RF FLANGE
DISCHARGE	1.5" ANSI/ASA CLASS 150 RF FLANGE
SPECIALS	NONE



SECTION A-A
SCALE 1 : 2



NOTES:

- THIS IS NOT A CERTIFIED DRAWING. USE FOR GENERAL INSTALLATION ONLY.

STATE	Released	12/13/2012
DRAWN	cmhm	12/12/2012
CHECKED	CJM	12/12/2012

DIMENSIONS ARE IN INCHES
PROJECT:
WAS:



THIS DRAWING IS THE PROPERTY OF WRIGHTFLOW TECHNOLOGIES AND IS PROPRIETARY IN GENERAL AND DETAIL. IT SHALL NOT BE COPIED OR ITS CONTENTS REVEALED TO OUTSIDE PARTIES WITHOUT THE WRITTEN CONSENT OF WRIGHTFLOW TECHNOLOGIES

3D

DWG. NO.	SHEET 1 OF 2
TRA20-0300-026	

REV. A.0
12/13/2012

