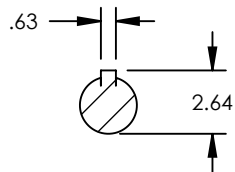
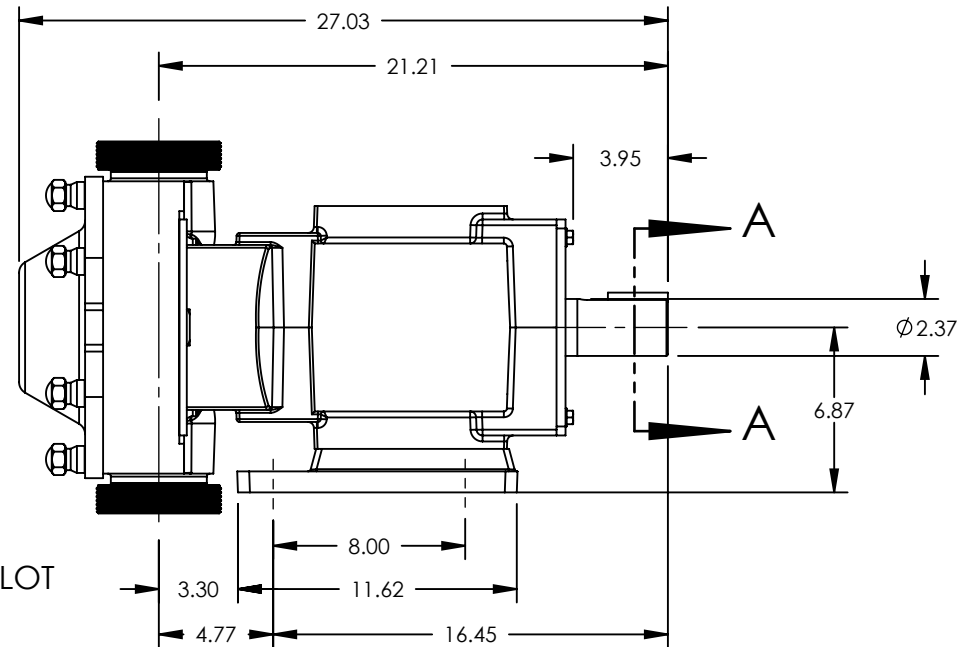
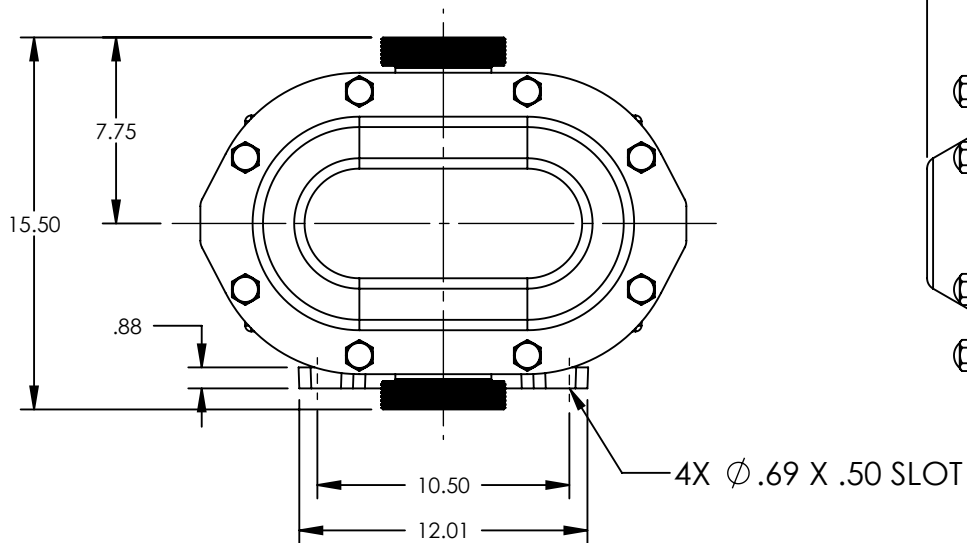
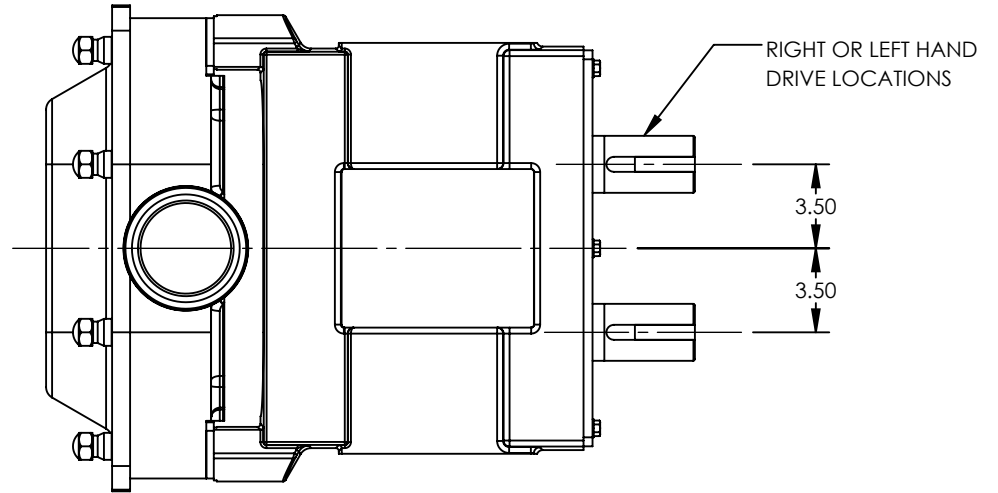


PUMP MODEL	TRA20-2100
ORIENTATION	VERTICAL
COVER	STANDARD
INLET	4.0 INCH SMS
DISCHARGE	4.0 INCH SMS
SPECIALS	NONE



SECTION A-A



NOTES:  
1. THIS IS NOT A CERTIFIED DRAWING. USE FOR GENERAL INSTALLATION ONLY.

STATE	Released	01/22/2021	DIMENSIONS ARE IN INCHES
DRAWN	MWerning	1/21/2021	
CHECKED	CJM	01/22/2021	
PROJECT:			WAS:
WAS:			



THIS DRAWING IS THE PROPERTY OF WRIGHTFLOW TECHNOLOGIES AND IS PROPRIETARY IN GENERAL AND DETAIL. IT SHALL NOT BE COPIED OR ITS CONTENTS REVEALED TO OUTSIDE PARTIES WITHOUT THE WRITTEN CONSENT OF WRIGHTFLOW TECHNOLOGIES

3D

DWG. NO. TRA20-2100-009

SHEET 1 OF 1

REV. A.0

01/22/2021