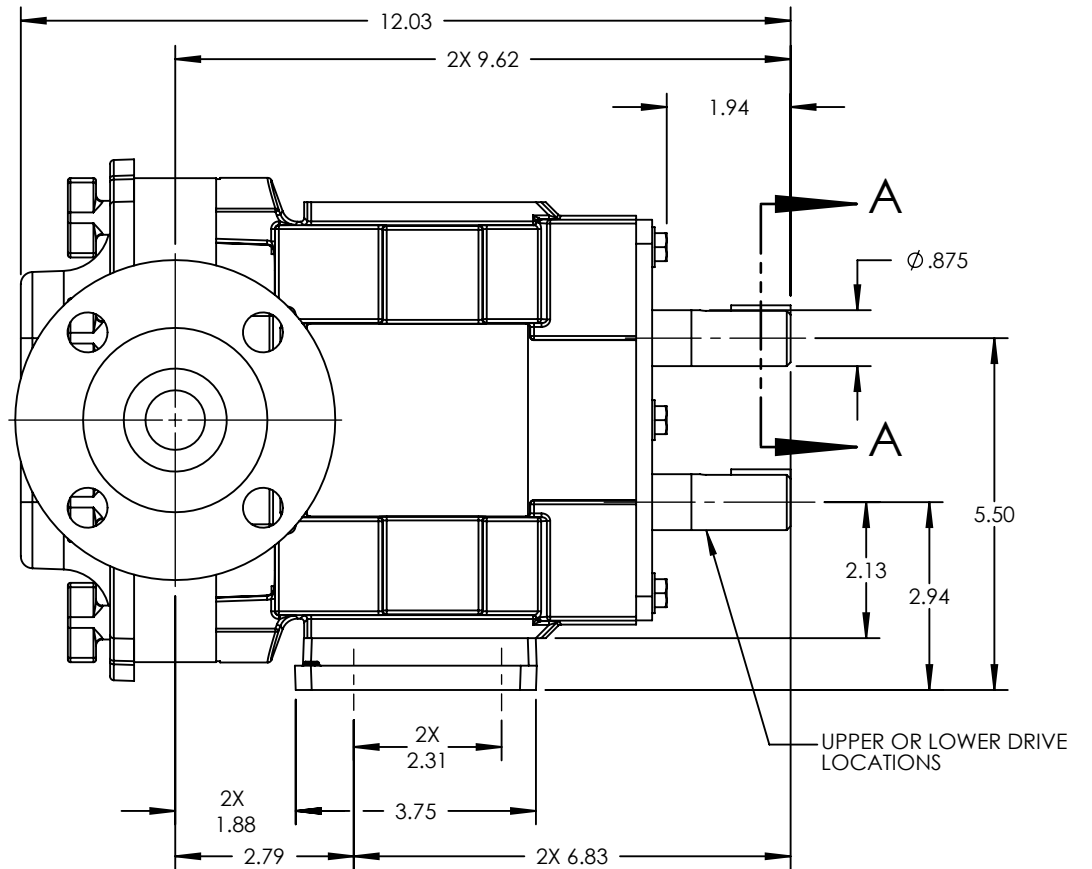
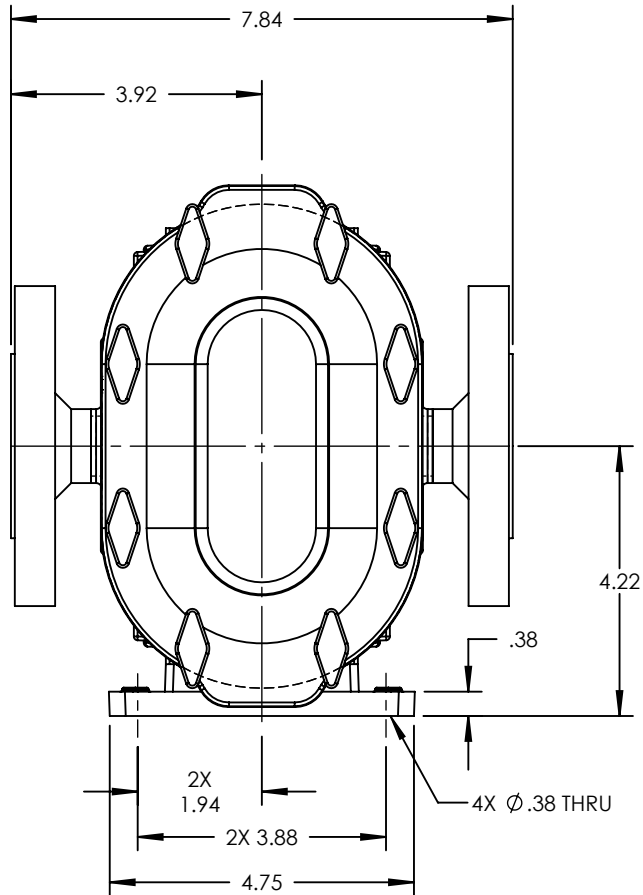
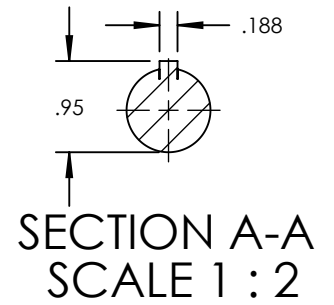


PUMP MODEL	TRA10-0060
ORIENTATION	HORIZONTAL
COVER	STANDARD
INLET	1.5" ANSI CLASS 150 RF FLANGE
DISCHARGE	1.5" ANSI CLASS 150 RF FLANGE
SPECIALS	NONE



NOTES:

1. THIS IS NOT A CERTIFIED DRAWING. USE FOR GENERAL INSTALLATION ONLY.

STATE	Released	09/09/2019	DIMENSIONS ARE IN INCHES
DRAWN	DJaramillo	9/6/2019	
CHECKED	BAM	09/09/2019	PROJECT:
			WAS:



THIS DRAWING IS THE PROPERTY OF WRIGHTFLOW TECHNOLOGIES AND IS PROPRIETARY IN GENERAL AND DETAIL. IT SHALL NOT BE COPIED OR ITS CONTENTS REVEALED TO OUTSIDE PARTIES WITHOUT THE WRITTEN CONSENT OF WRIGHTFLOW TECHNOLOGIES

3D

DWG. NO. TRA10-0060-022

SHEET 1 OF 2

REV. A.0

