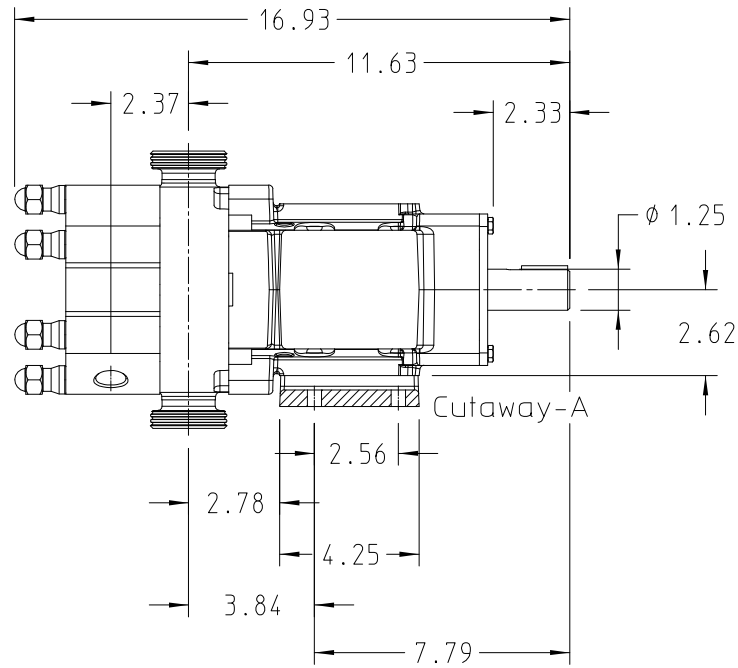
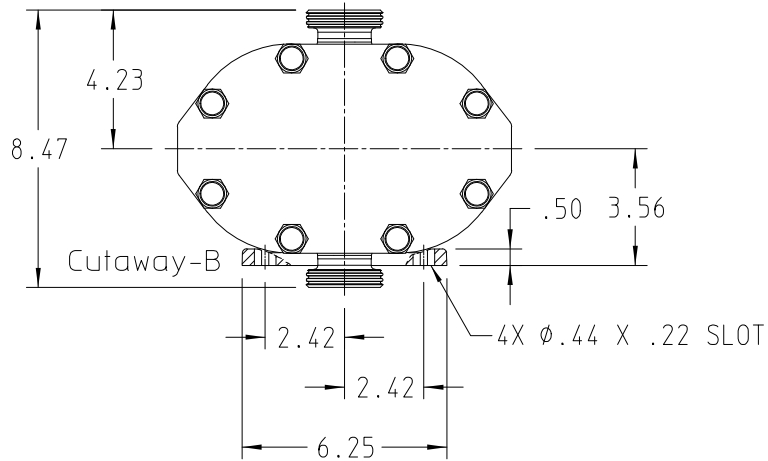
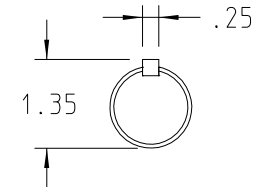
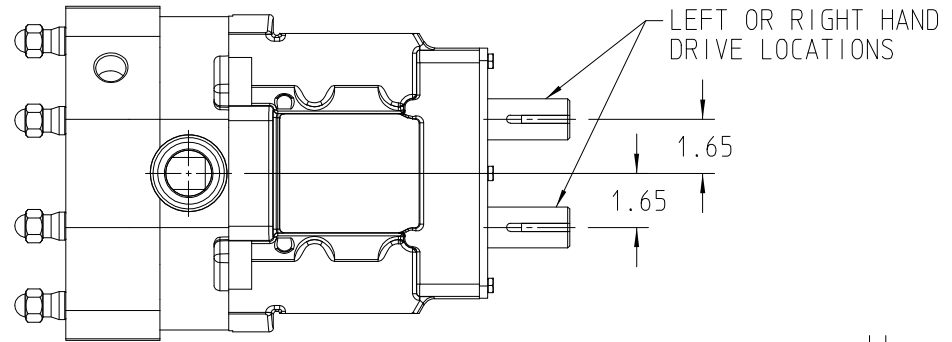


GENERAL ARRANGEMENT DETAILS

PUMP MODEL	TRA20-0300	INLET	1.50 INCH SMS
ORIENTATION	VERTICAL	OUTLET	1.50 INCH SMS
COVER TYPE	JACKETED, 3/4" NPT	SPECIALS	NONE



THIS IS NOT A CERTIFIED DRAWING. USE FOR GENERAL INSTALLATION ONLY.
PUMP SHOWN WITH SMS CONNECTIONS. FOR OTHER CONNECTIONS, CONTACT FACTORY.

USE & RELATED INFORMATION
Created from OSDM

THIS DRAWING IS THE PROPERTY OF
WRIGHT PUMP AND IS PROPRIETARY
IN GENERAL AND DETAIL. IT SHALL NOT
BE COPIED OR ITS CONTENTS REVEALED
TO OUTSIDE PARTIES WITHOUT WRITTEN
CONSENT OF WRIGHT PUMP

DRAWN	MIHM	15 FEB 2012
CHECKED	CJM	15 FEB 2012
APPROVED		
SCALE 1 = 4		INCH DIM.

wrightflow
TECHNOLOGIES

A Unit of
DEX
CORPORATION
Muskego, WI 53150
U.S.A.

ASSEMBLY OF TRA20 MODEL 0300

DRAWING
NUMBER TRA20-0300-024

THIRD ANGLE
PROJECTION

REV A
15 FEB 2012