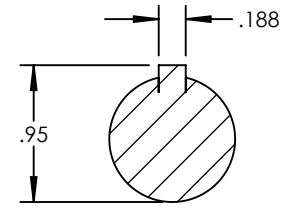
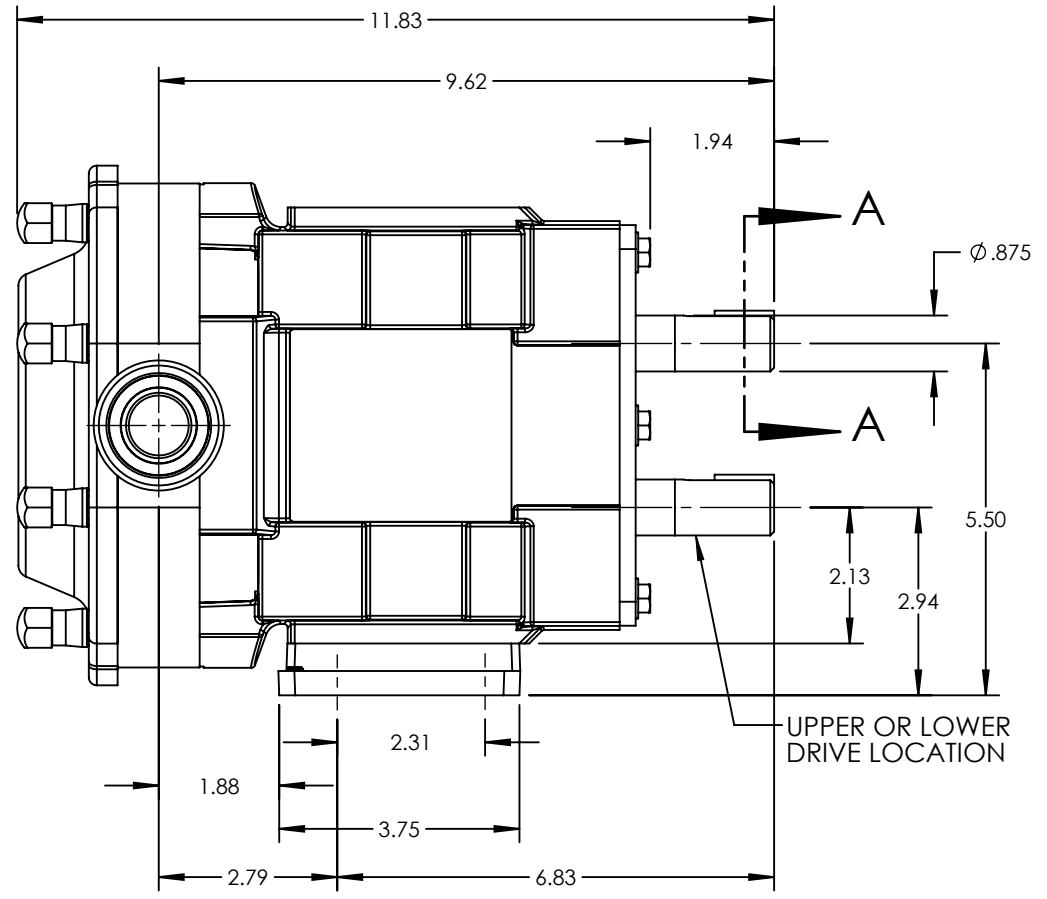
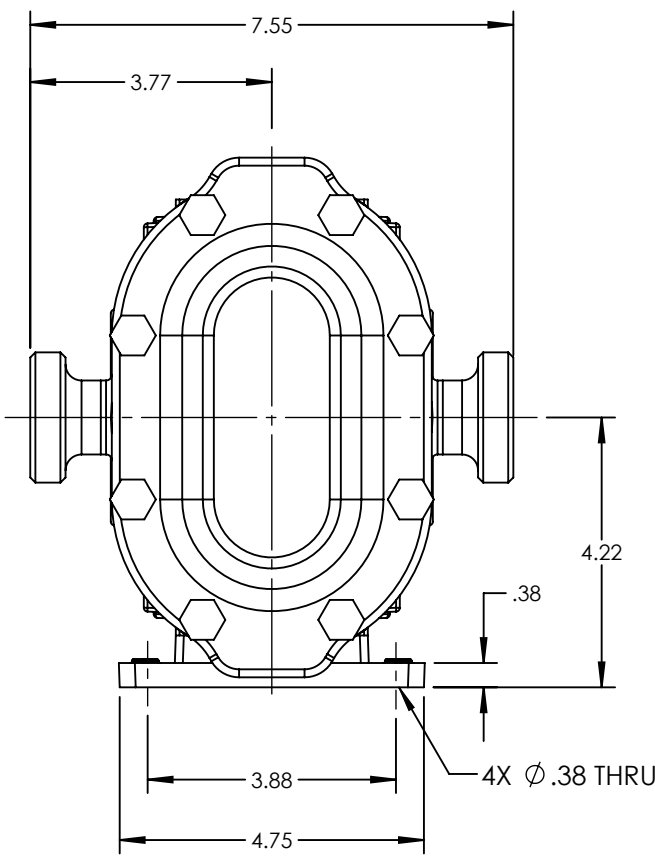


PUMP MODEL	TRA20-0060
ORIENTATION	HORIZONTAL
COVER TYPE	STANDARD
SUCTION	1.0" DIN 11851
DISCHARGE	1.0" DIN 11851
SPECIALS	NONE



SECTION A-A
SCALE 3 : 4



NOTES:
1. THIS IS NOT A CERTIFIED DRAWING. USE FOR GENERAL INSTALLATION ONLY.

STATE	Released	06/22/2022	DIMENSIONS ARE IN INCHES	VIKING PUMP A Unit of IDEX Corporation Cedar Falls, IA 50613 U.S.A. VIKINGPUMP.COM	THIS DRAWING IS THE PROPERTY OF VIKING PUMP, INC. AND IS PROPRIETARY IN GENERAL AND DETAIL. IT SHALL NOT BE COPIED OR ITS CONTENTS REVEALED TO OUTSIDE PARTIES WITHOUT THE WRITTEN CONSENT OF VIKING PUMP, INC.	3D	DWG. NO. TRA20-0060-010	SHEET 1 OF 1	REV. A.1
DRAWN	cmihm	11/15/2012							PROJECT:
CHECKED	CJM	06/22/2022	WAS:						06/22/2022