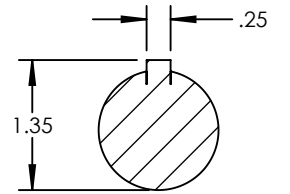
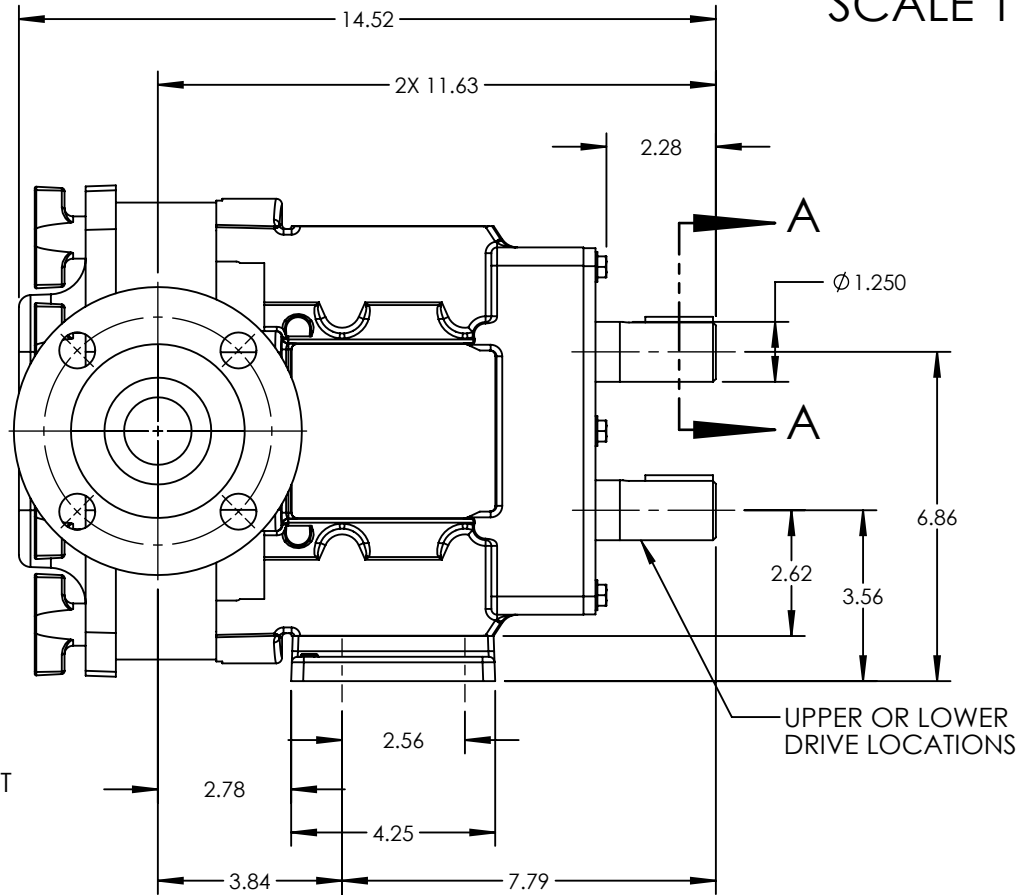
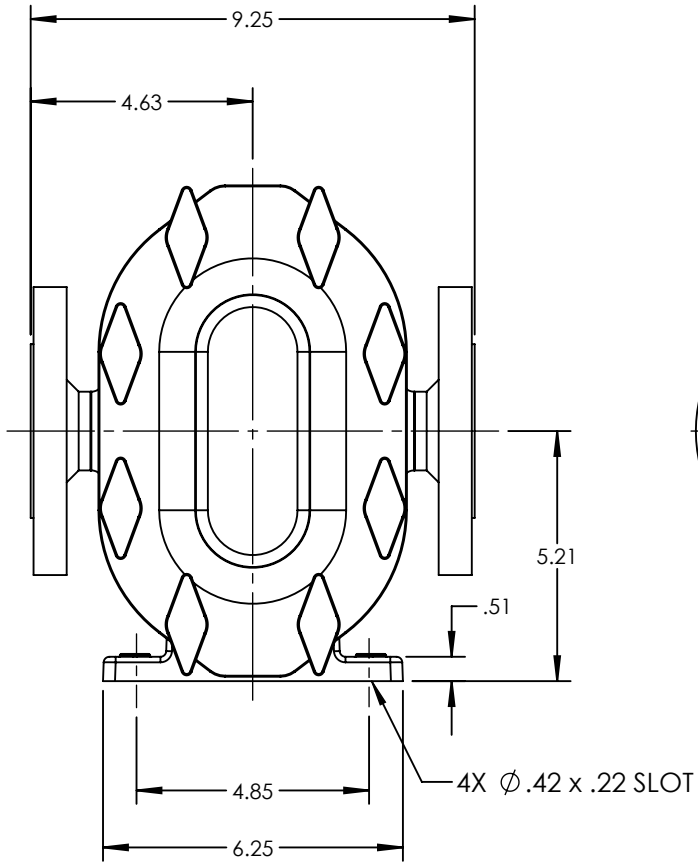


PUMP MODEL	TRA10-0300
ORIENTATION	HORIZONTAL
COVER	STANDARD
INLET	2.0" ASA/ANSI CLASS 150
DISCHARGE	2.0" ASA/ANSI CLASS 150
SPECIALS	NONE



SECTION A-A
SCALE 1 : 2



NOTES:

- THIS IS NOT A CERTIFIED DRAWING. USE FOR GENERAL INSTALLATION ONLY.

STATE	Released	03/26/2024	DIMENSIONS ARE IN INCHES
DRAWN	cmihm	11/8/2012	
CHECKED	MEW	03/26/2024	
PROJECT:			WAS:
WAS:			



VIKING PUMP, INC.
A Unit of IDEX Corporation
Cedar Falls, IA 50613 U.S.A.
VIKINGPUMP.COM

THIS DRAWING IS THE PROPERTY OF VIKING PUMP, INC. AND IS PROPRIETARY IN GENERAL AND DETAIL. IT SHALL NOT BE COPIED OR ITS CONTENTS REVEALED TO OUTSIDE PARTIES WITHOUT THE WRITTEN CONSENT OF VIKING PUMP, INC.

3D

DWG. NO. TRA10-0300-030
SHEET 1 OF 1

REV. C.0
03/26/2024