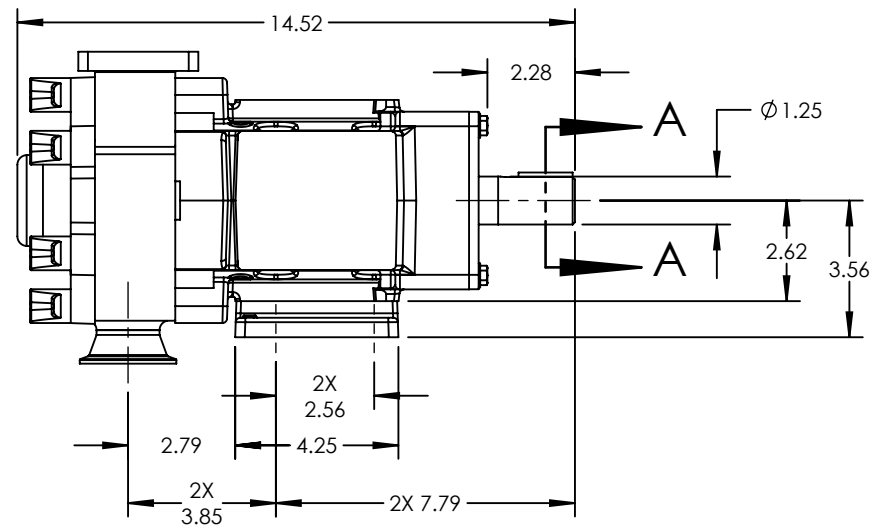
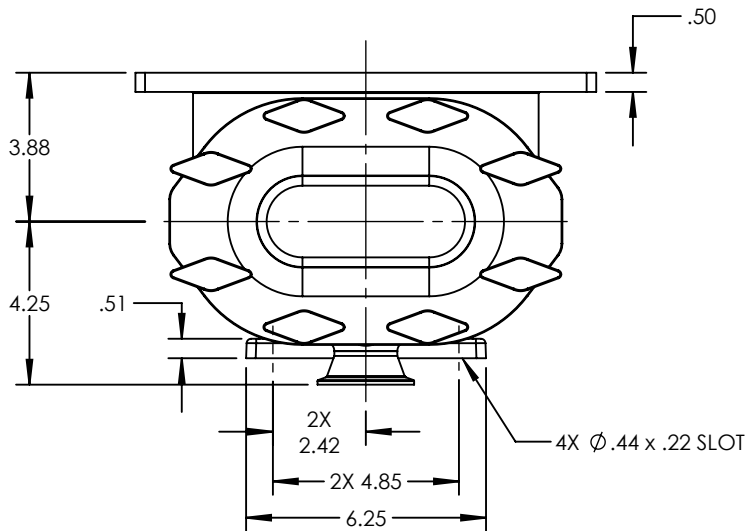
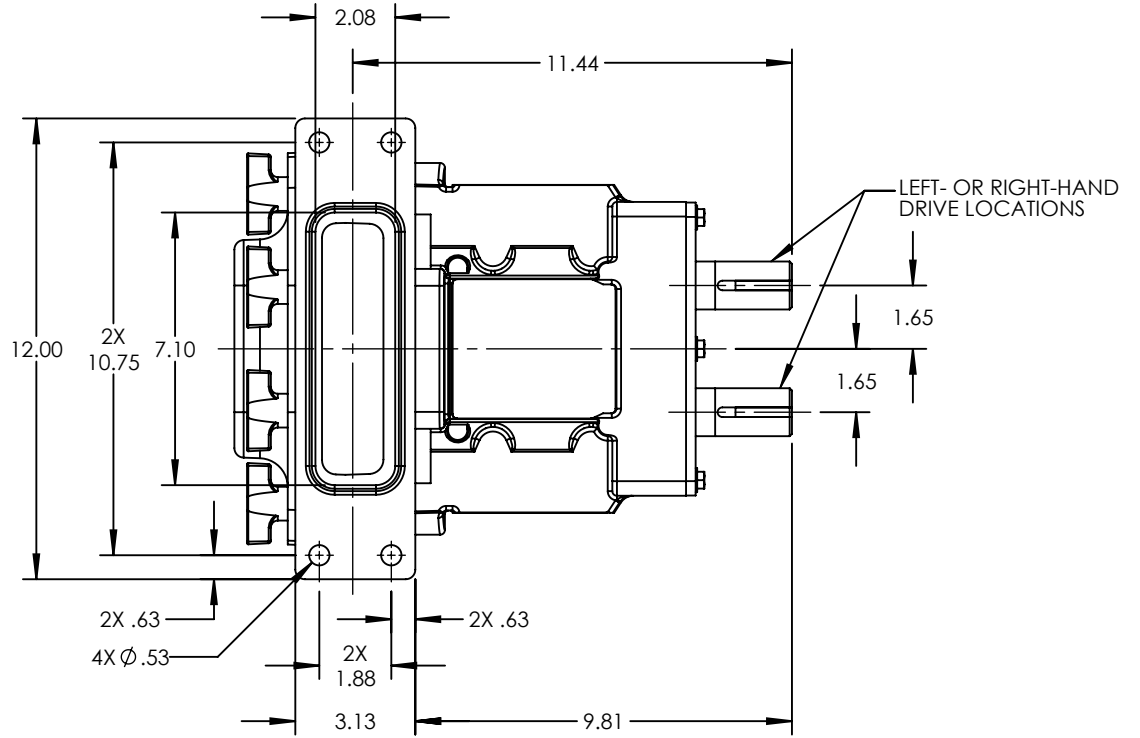
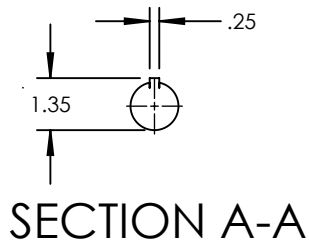


PUMP MODEL	TRA10-0340
ORIENTATION	VERTICAL
COVER TYPE	STANDARD
INLET	RECTANGULAR FLANGE
DISCHARGE	2.0" TRI-CLAMP
SPECIALS	NONE



NOTES:

1. THIS IS NOT A CERTIFIED DRAWING. USE FOR GENERAL INSTALLATION ONLY.

STATE	Released	04/20/2022	DIMENSIONS ARE IN INCHES	VIKING PUMP VIKING PUMP, INC. A Unit of IDEX Corporation Cedar Falls, IA 50613 U.S.A. VIKINGPUMP.COM	THIS DRAWING IS THE PROPERTY OF VIKING PUMP, INC. AND IS PROPRIETARY IN GENERAL AND DETAIL. IT SHALL NOT BE COPIED OR ITS CONTENTS REVEALED TO OUTSIDE PARTIES WITHOUT THE WRITTEN CONSENT OF VIKING PUMP, INC.	3D	DWG. NO. TRA10-0340-009	SHEET 1 OF 1	REV. B.1
DRAWN	cneff	3/6/2014							PROJECT: WAS: