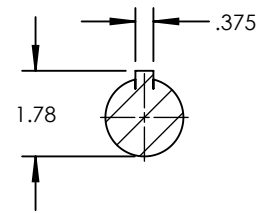
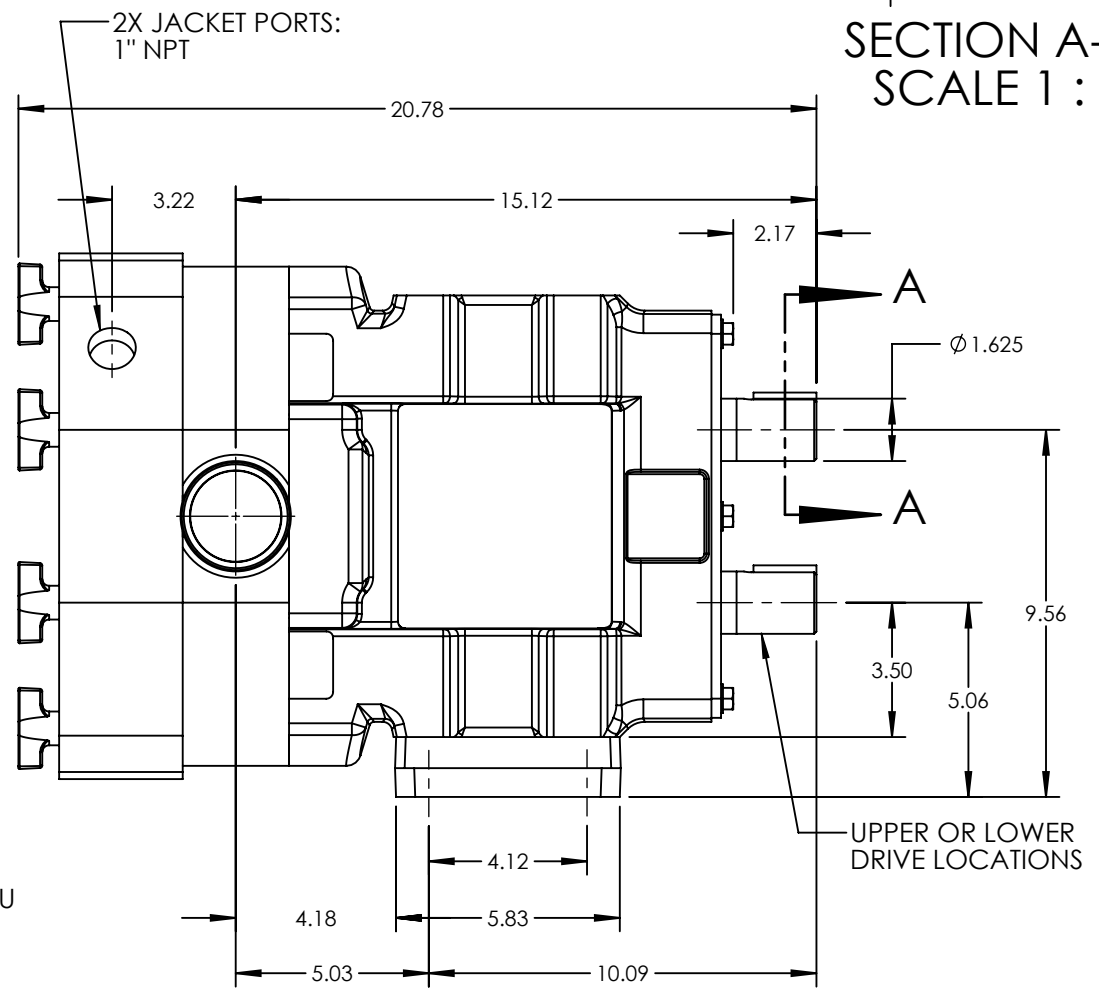
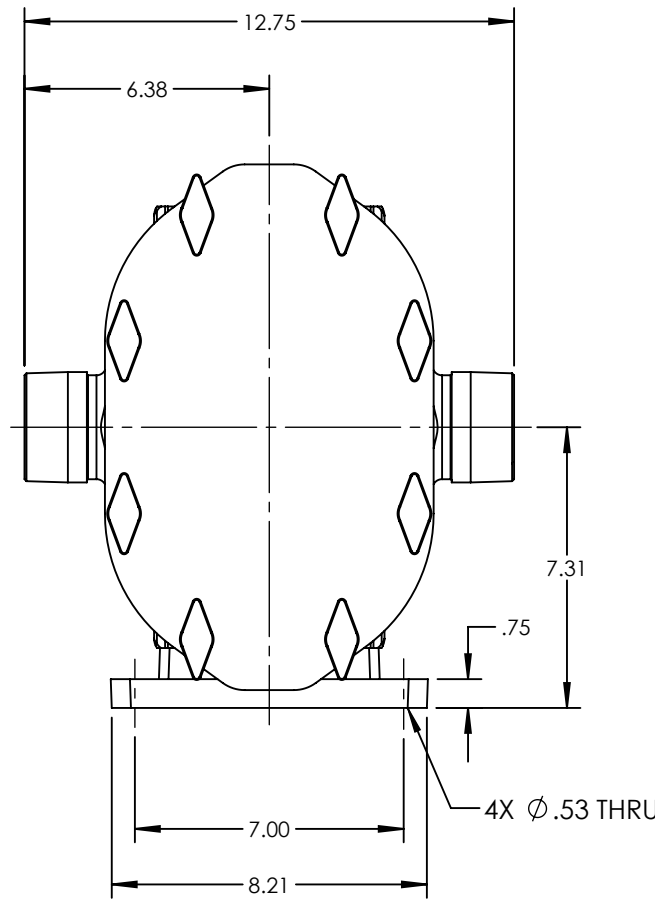


PUMP MODEL	TRA10-0600
ORIENTATION	HORIZONTAL
COVER	JACKETED
INLET	2.5" NPT
DISCHARGE	2.5" NPT
SPECIALS	NONE



SECTION A-A
SCALE 1 : 4



NOTES:
1. THIS IS NOT A CERTIFIED DRAWING. USE FOR GENERAL INSTALLATION ONLY.

STATE	Released	04/05/2024	DIMENSIONS ARE IN INCHES	VIKING PUMP VIKING PUMP, INC. A Unit of IDEX Corporation Cedar Falls, IA 50613 U.S.A. VIKINGPUMP.COM	THIS DRAWING IS THE PROPERTY OF VIKING PUMP, INC. AND IS PROPRIETARY IN GENERAL AND DETAIL. IT SHALL NOT BE COPIED OR ITS CONTENTS REVEALED TO OUTSIDE PARTIES WITHOUT THE WRITTEN CONSENT OF VIKING PUMP, INC.	3D	DWG. NO. TRA10-0600-037	SHEET 1 OF 1	REV. B.0
DRAWN	jgerbig	7/21/2016							PROJECT:
CHECKED	MEW	04/02/2024	WAS:						