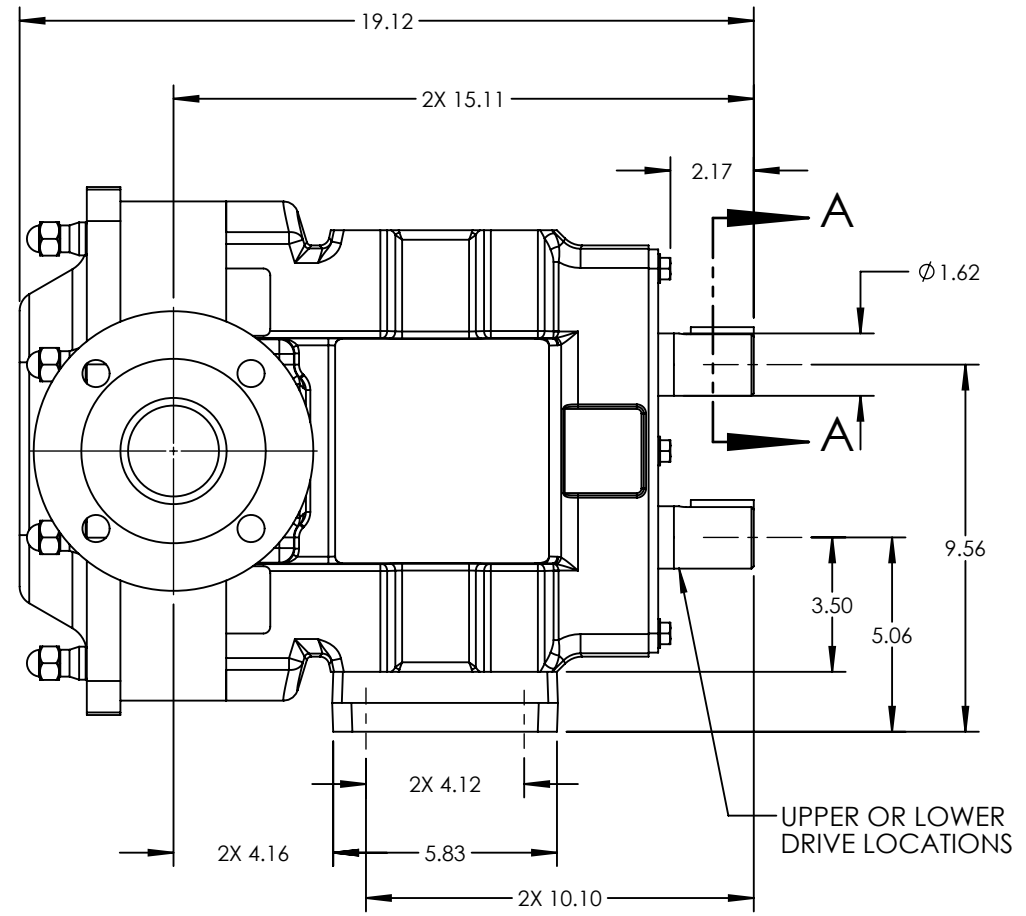
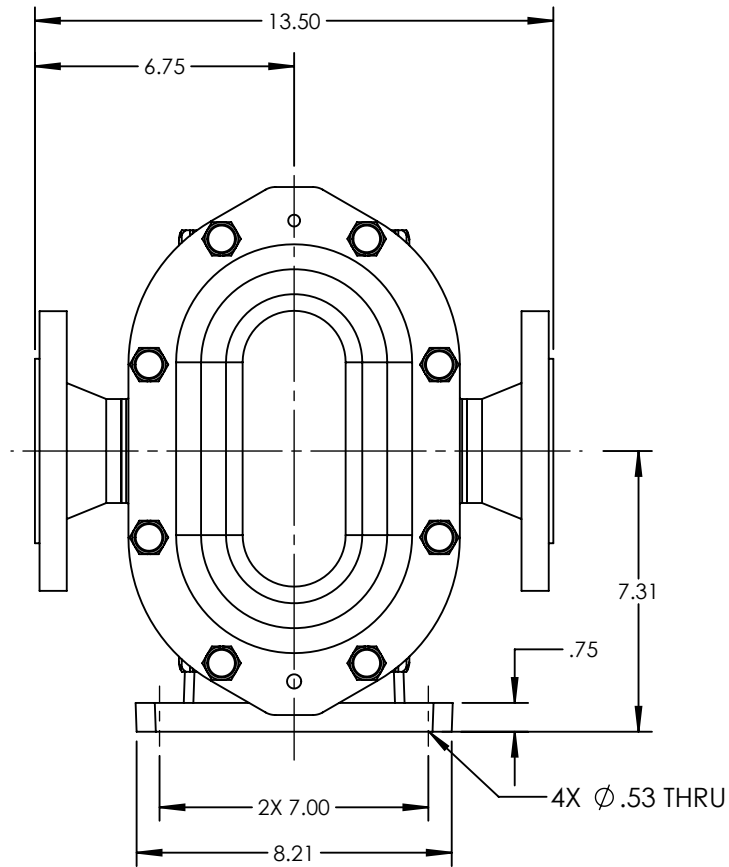
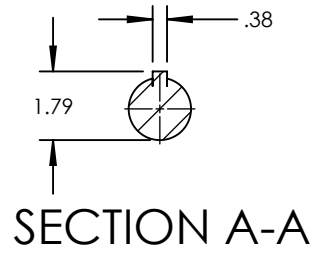


PUMP MODEL	TRA20-0600
ORIENTATION	HORIZONTAL
COVER TYPE	STANDARD
INLET	2.5" DIN 2633
DISCHARGE	2.5" DIN 2633
SPECIALS	NONE



NOTES:

1. THIS IS NOT A CERTIFIED DRAWING. USE FOR GENERAL INSTALLATION ONLY.

STATE	Released	02/16/2024
DRAWN	jgerbig	3/31/2016
CHECKED	MEW	02/15/2024

DIMENSIONS ARE IN INCHES
PROJECT:
WAS:



VIKING PUMP, INC.
A Unit of IDEX Corporation
Cedar Falls, IA 50613 U.S.A.
VIKINGPUMP.COM

THIS DRAWING IS THE PROPERTY OF VIKING PUMP, INC. AND IS PROPRIETARY IN GENERAL AND DETAIL. IT SHALL NOT BE COPIED OR ITS CONTENTS REVEALED TO OUTSIDE PARTIES WITHOUT THE WRITTEN CONSENT OF VIKING PUMP, INC.

3D

DWG. NO. TRA20-0600-025
SHEET 1 OF 1

REV. B.0
02/16/2024