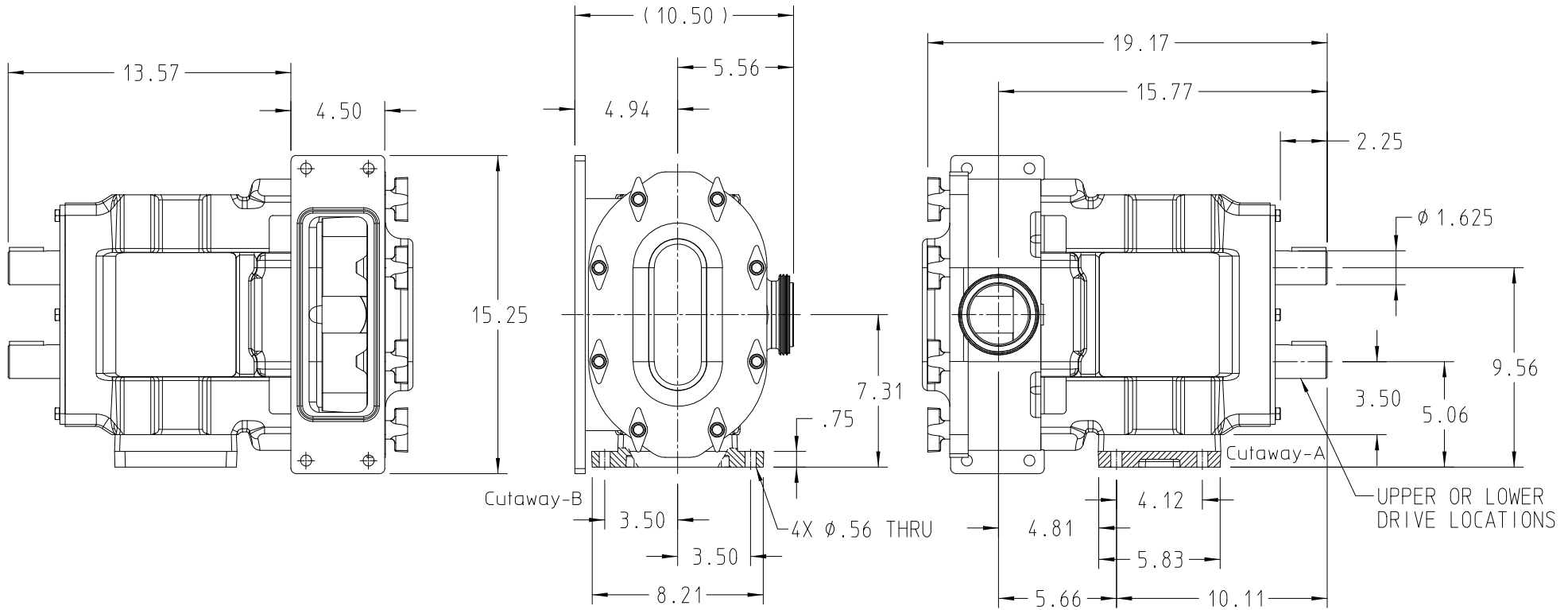


GENERAL ARRANGEMENT DETAILS

PUMP MODEL	TRA10-1340	INLET	RECTANGULAR FLANGE
ORIENTATION	HORIZONTAL	OUTLET	3.00 INCH RJT (RING JOINT)
COVER TYPE	STANDARD	SPECIALS	NONE



THIS IS NOT A CERTIFIED DRAWING. USE FOR GENERAL INSTALLATION ONLY.
 PUMP SHOWN WITH TRI-CLAMP CONNECTION. FOR OTHER CONNECTIONS, CONTACT FACTORY.

USE & RELATED INFORMATION
 Created from OSDM

THIS DRAWING IS THE PROPERTY OF
 WRIGHT PUMP AND IS PROPRIETARY
 IN GENERAL AND DETAIL. IT SHALL NOT
 BE COPIED OR ITS CONTENTS REVEALED
 TO OUTSIDE PARTIES WITHOUT WRITTEN
 CONSENT OF WRIGHT PUMP

DRAWN	MIHM	06 JUN 2012
CHECKED	CJM	06 JUN 2012
APPROVED		
SCALE 1 = 5		INCH DIM.

wrightflow
 TECHNOLOGIES

A Unit of
DEX
 CORPORATION
 Muskego, WI 53150
 U.S.A.

ASSEMBLY OF TRA10 MODEL 1340

DRAWING
 NUMBER TRA10-1340-010

THIRD ANGLE
 PROJECTION

REV A
 06 JUN 2012