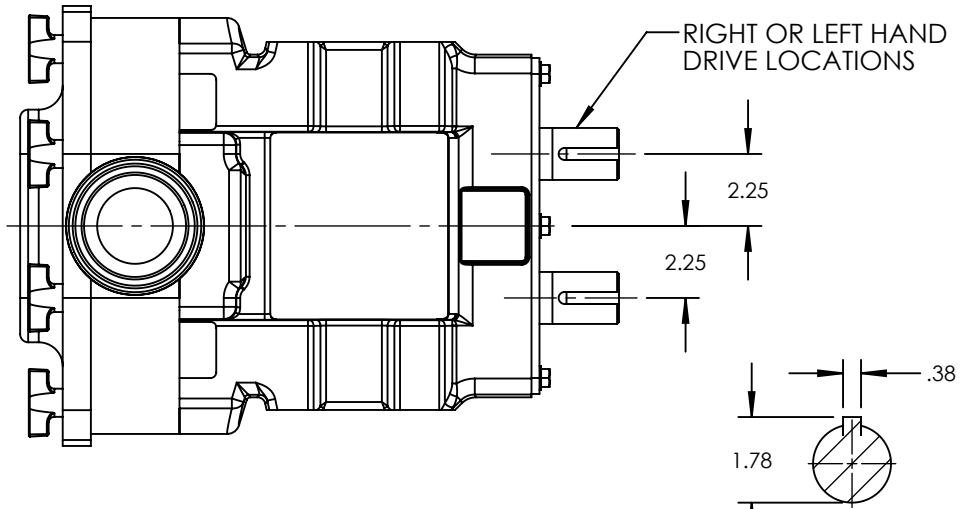
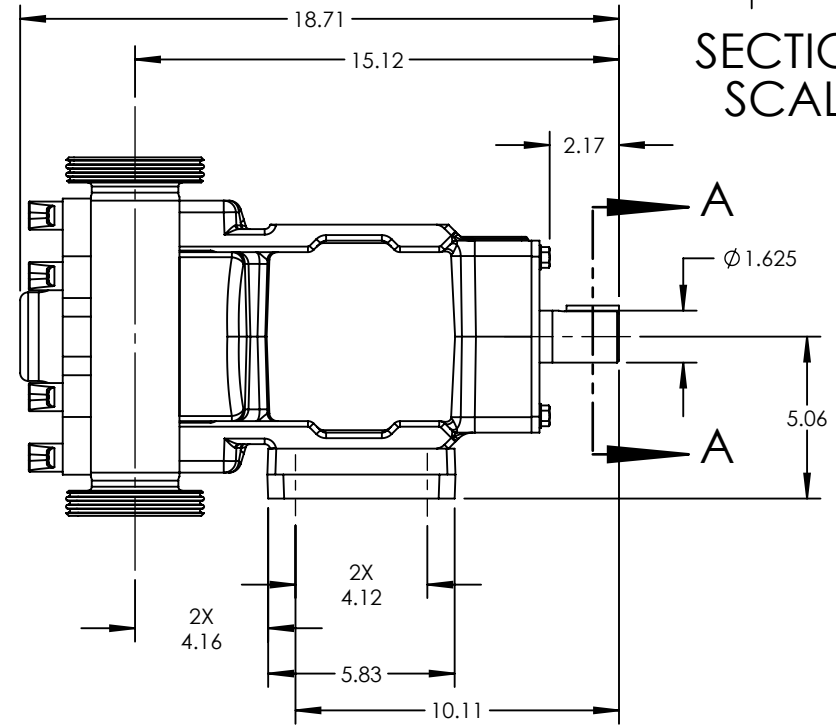
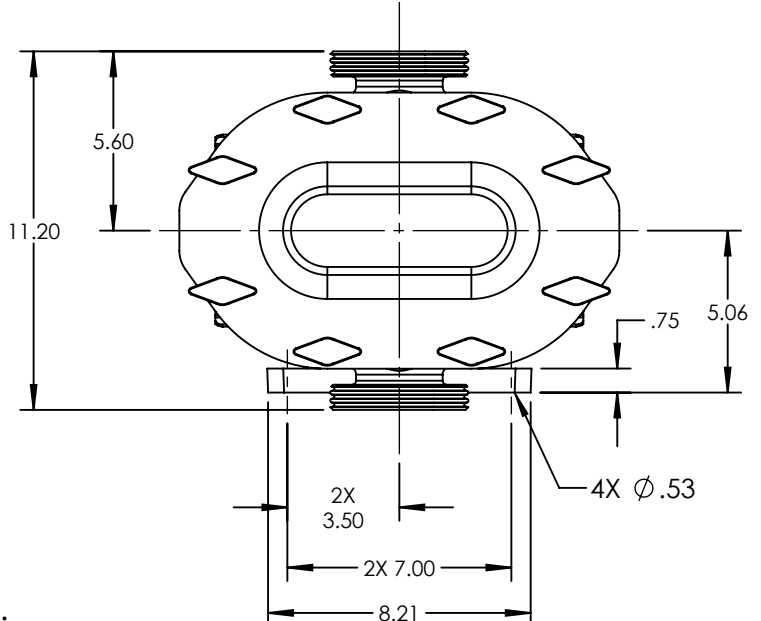


PUMP MODEL	TRA10-0600
ORIENTATION	VERTICAL
COVER	STANDARD
INLET	3.0" DIN 11851
DISCHARGE	3.0" DIN 11851
SPECIALS	NONE



SECTION A-A
SCALE 1 : 4



NOTES:
1. THIS IS NOT A CERTIFIED DRAWING. USE FOR GENERAL INSTALLATION ONLY.

STATE	Released	04/05/2024
DRAWN	jgerbig	8/21/2018
CHECKED	MEW	04/02/2024

DIMENSIONS ARE IN INCHES
PROJECT:
WAS:

VIKING PUMP
VIKING PUMP, INC.
A Unit of IDEX Corporation
Cedar Falls, IA 50613 U.S.A.
VIKINGPUMP.COM

THIS DRAWING IS THE PROPERTY OF VIKING PUMP, INC. AND IS PROPRIETARY IN GENERAL AND DETAIL. IT SHALL NOT BE COPIED OR ITS CONTENTS REVEALED TO OUTSIDE PARTIES WITHOUT THE WRITTEN CONSENT OF VIKING PUMP, INC.

3D DWG. NO. TRA10-0600-040 SHEET 1 OF 1

REV. B.0
04/05/2024