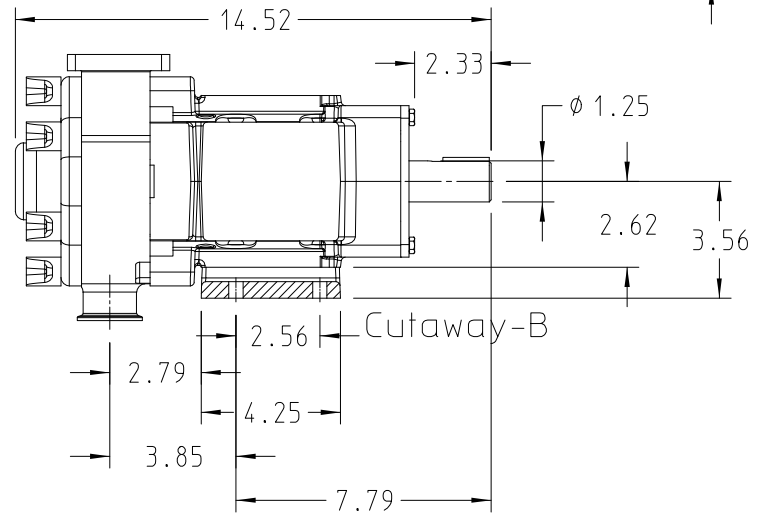
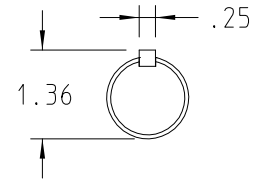
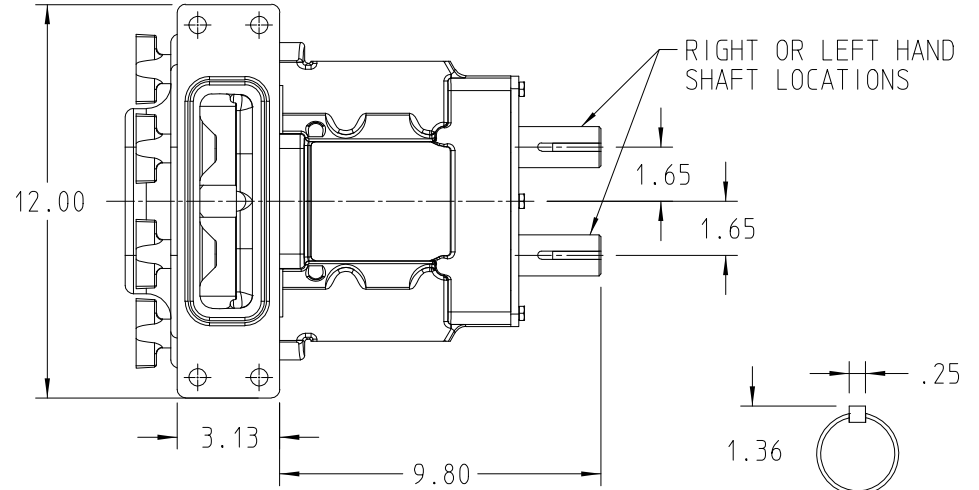
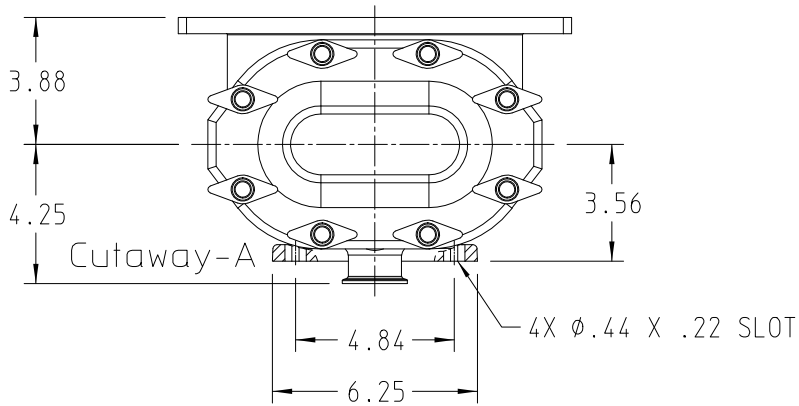
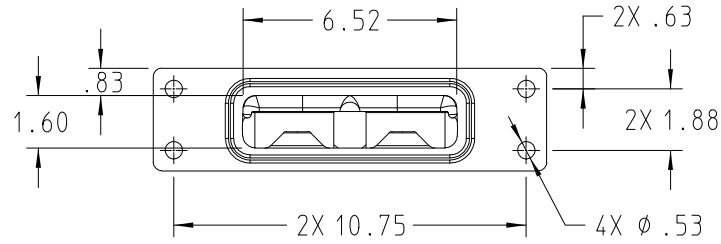


GENERAL ARRANGEMENT DETAILS

PUMP MODEL	TRA10-0340	INLET	RECTANGULAR FLANGE
ORIENTATION	VERTICAL	OUTLET	1.50 INCH TRI-CLAMP
COVER TYPE	STANDARD	SPECIALS	NONE



THIS IS NOT A CERTIFIED DRAWING. USE FOR GENERAL INSTALLATION ONLY.
 PUMP SHOWN WITH TRI-CLAMP CONNECTIONS, FOR OTHER CONNECTIONS, CONTACT FACTORY.

USE & RELATED INFORMATION
 Created from OSDM

THIS DRAWING IS THE PROPERTY OF
 WRIGHT PUMP AND IS PROPRIETARY
 IN GENERAL AND DETAIL. IT SHALL NOT
 BE COPIED OR ITS CONTENTS REVEALED
 TO OUTSIDE PARTIES WITHOUT WRITTEN
 CONSENT OF WRIGHT PUMP

DRAWN	MIHM	27 SEP 2012
CHECKED	CJM	27 SEP 2012
APPROVED		
SCALE 1 = 4		INCH DIM.

wrightflow
 TECHNOLOGIES

A Unit of
DEX
 CORPORATION
 Muskego, WI 53150
 U.S.A

ASSEMBLY OF TRA10 MODEL 0340

DRAWING
 NUMBER TRA10-0340-002

THIRD ANGLE
 PROJECTION

REV D
 27 SEP 2012