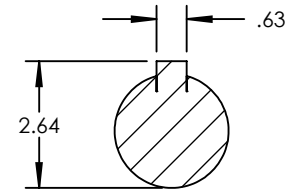
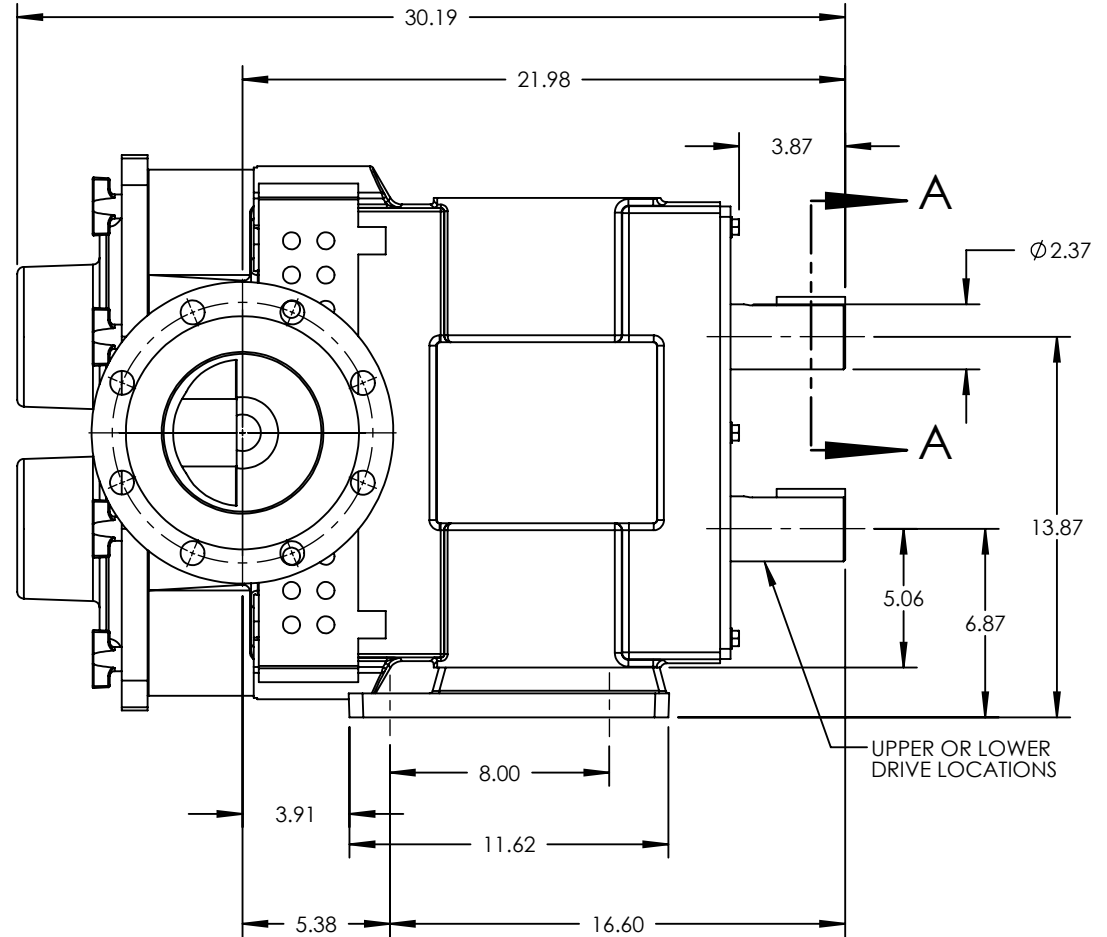
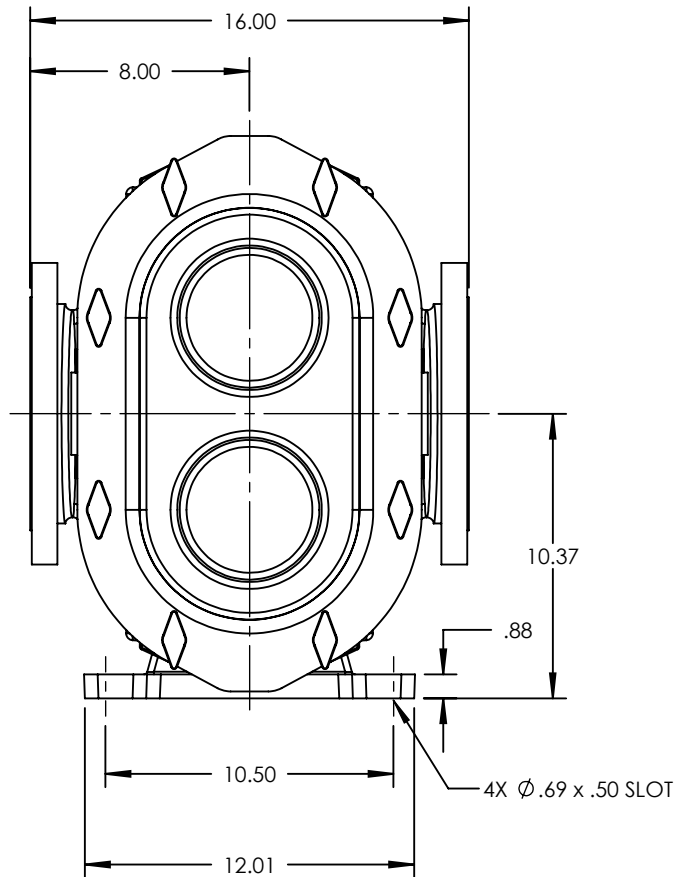


PUUMP MODEL	TRA10-3200
ORIENTATION	HORIZONTAL
COVER TYPE	STANDARD
INLET	6.0" ANSI/ASA CLASS 150 RF FLANGE
DISCHARGE	6.0" ANSI/ASA CLASS 150 RF FLANGE
SPECIALS	NONE



SECTION A-A
SCALE 1 : 4



NOTES:
1. THIS IS NOT A CERTIFIED DRAWING. USE FOR GENERAL INSTALLATION ONLY.

STATE	Released	10/02/2013	DIMENSIONS ARE IN INCHES	 <small>Wrightflow Technologies, A Unit of IDEX Corporation Cedar Falls, IA 50613 U.S.A. Eastborne, East Sussex, BN23 6PT UK</small>	THIS DRAWING IS THE PROPERTY OF WRIGHTFLOW TECHNOLOGIES AND IS PROPRIETARY IN GENERAL AND DETAIL. IT SHALL NOT BE COPIED OR ITS CONTENTS REVEALED TO OUTSIDE PARTIES WITHOUT THE WRITTEN CONSENT OF WRIGHTFLOW TECHNOLOGIES	3D	DWG. NO.	SHEET 1 OF 2	REV. B.0
DRAWN	cmihm	12/10/2012					PROJECT:	TRA10-3200-002	
CHECKED	MPS	10/01/2013	WAS:						10/02/2013