

6

5

4

3

2

1

D

D

C

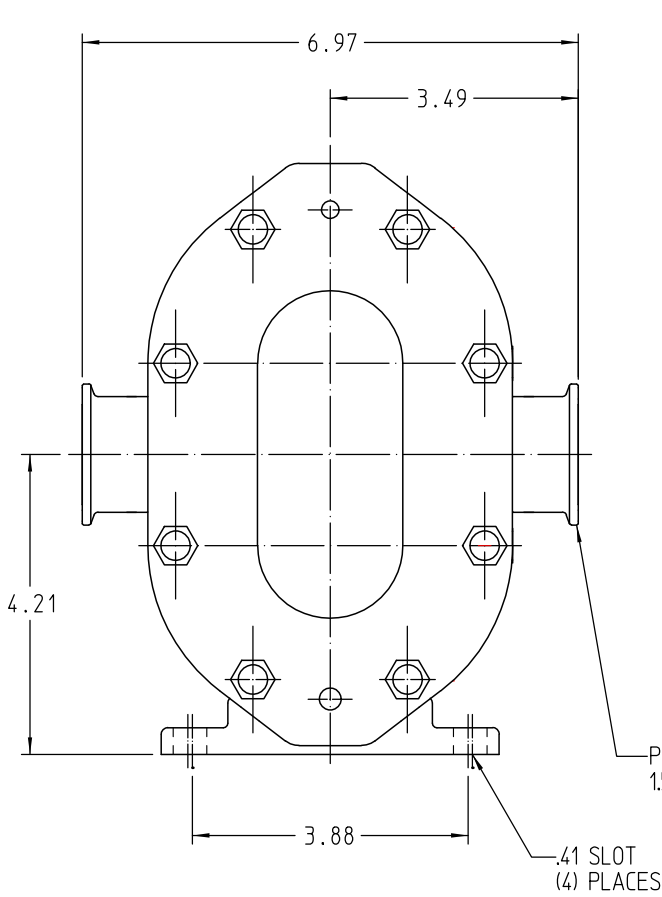
C

B

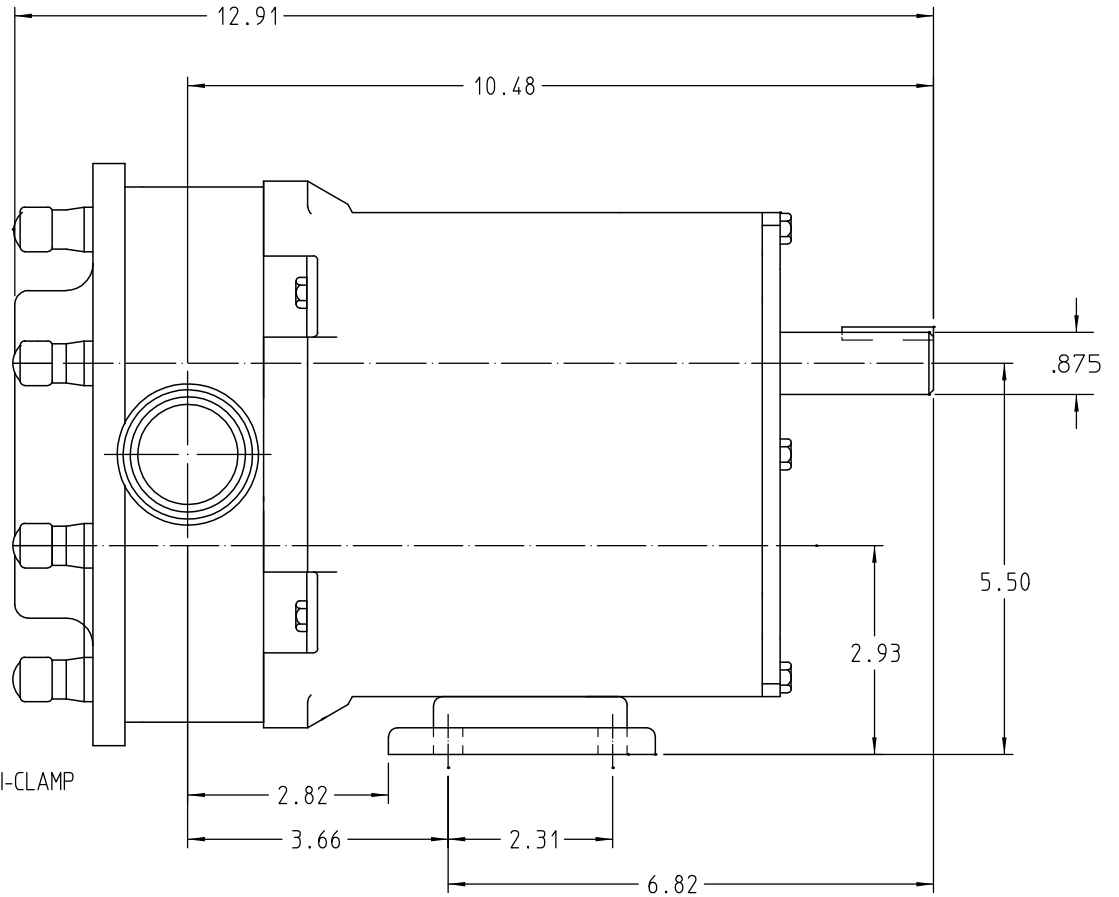
B

A

A

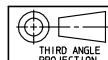


PORTS:
1.50" TRI-CLAMP



IF IN DOUBT ASK

A		13 JUL 2005
REV.	C.N. NO.	DATE



THIS DRAWING IS THE PROPERTY OF
WRIGHT PUMP AND IS PROPRIETARY
IN GENERAL AND DETAIL. IT SHALL NOT
BE COPIED OR ITS CONTENTS REVEALED
TO OUTSIDE PARTIES WITHOUT WRITTEN
CONSENT OF WRIGHT PUMP

TRA20-0180 WITH 1.50" TRI-CLAMP PORTS

USE & RELATED INFORMATION

DRAWN	CRAWFORD	13 JUL 2005
CHECKED	MRC	13 JUL 2005
APPROVED		
SCALE	3 = 4	INCH DIM.

WRIGHT PUMP
WRIGHT PUMP
A Unit of IDEX Corporation
Waukesha, WI 53187-0164
U.S.A.

PATTERN NUMBER		DRG. SIZE	C
DRAWING NUMBER	TRA20-0180-01		

6

5

4

3

2

1