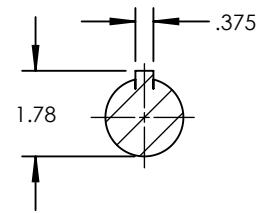
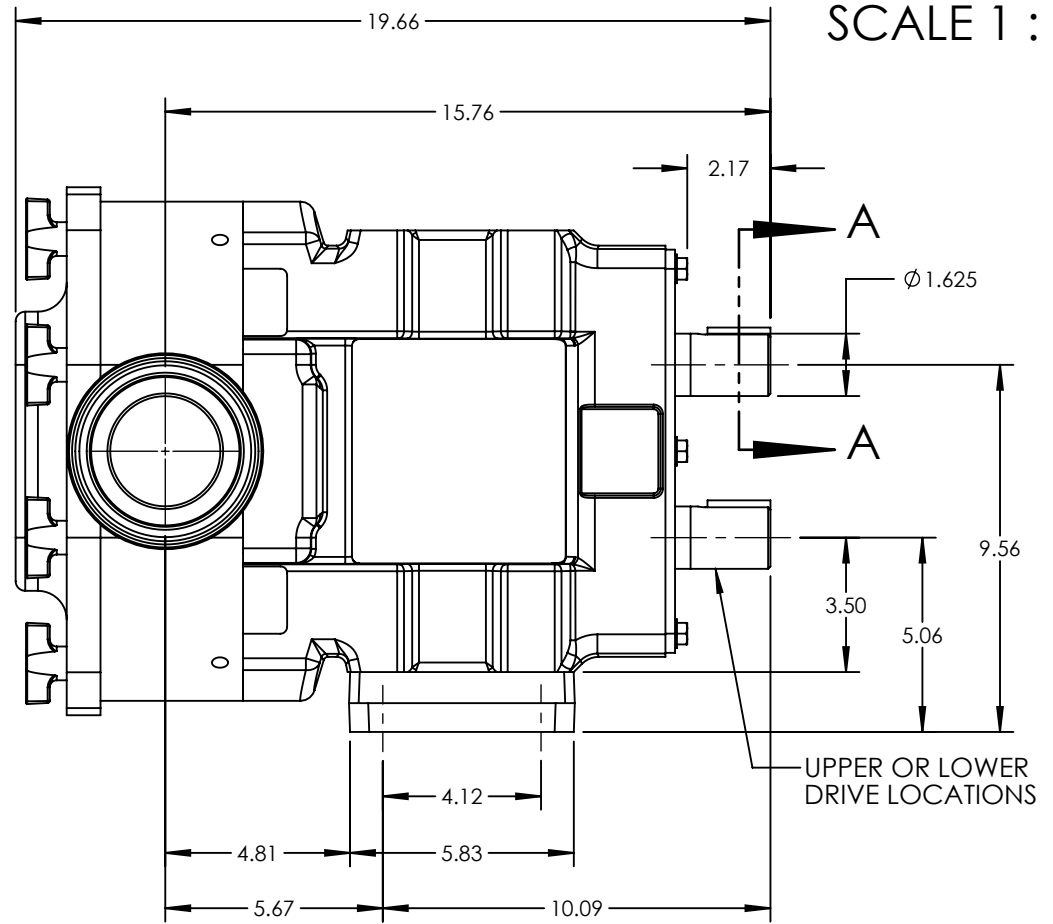
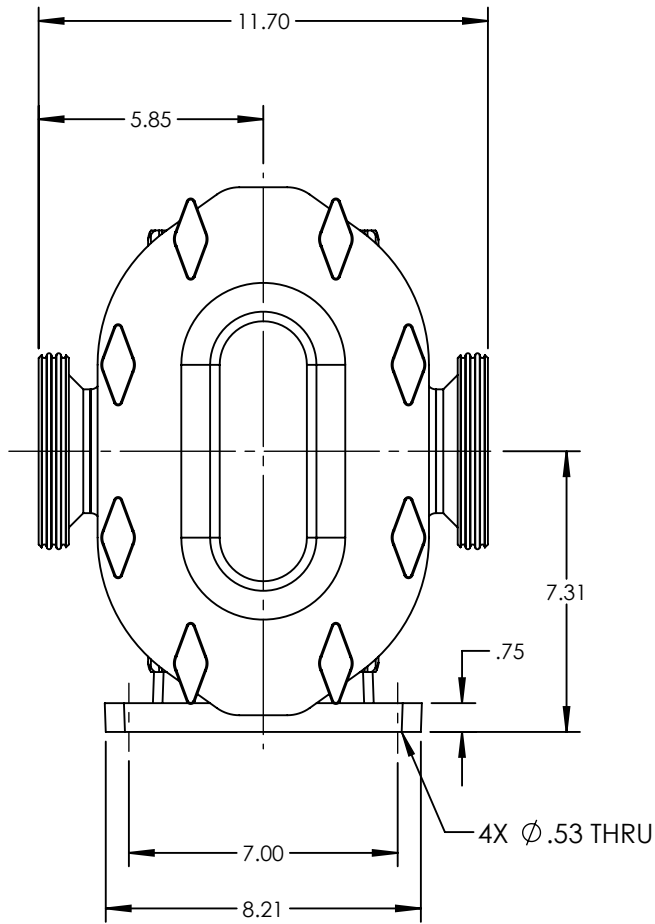


PUMP MODEL	TRA10-1300
ORIENTATION	HORIZONTAL
COVER	STANDARD
INLET	4.0" DIN 11851
DISCHARGE	4.0" DIN 11851
SPECIALS	NONE



SECTION A-A
SCALE 1 : 4



UPPER OR LOWER
DRIVE LOCATIONS

NOTES:
1. THIS IS NOT A CERTIFIED DRAWING. USE FOR GENERAL INSTALLATION ONLY.

STATE	Released	04/05/2024	DIMENSIONS ARE IN INCHES
DRAWN	cneff	6/23/2015	
CHECKED	MEW	04/04/2024	
PROJECT:			WAS:



VIKING PUMP, INC.
A Unit of IDEX Corporation
Cedar Falls, IA 50613 U.S.A.
VIKINGPUMP.COM

THIS DRAWING IS THE PROPERTY OF
VIKING PUMP, INC. AND IS PROPRIETARY
IN GENERAL AND DETAIL. IT SHALL NOT BE
COPIED OR ITS CONTENTS REVEALED TO
OUTSIDE PARTIES WITHOUT THE WRITTEN
CONSENT OF VIKING PUMP, INC.

3D

DWG. NO.	TRA10-1300-013
SHEET 1 OF 1	REV. C.0
04/05/2024	