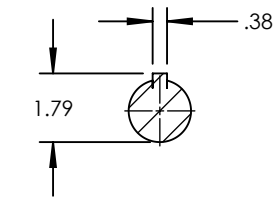
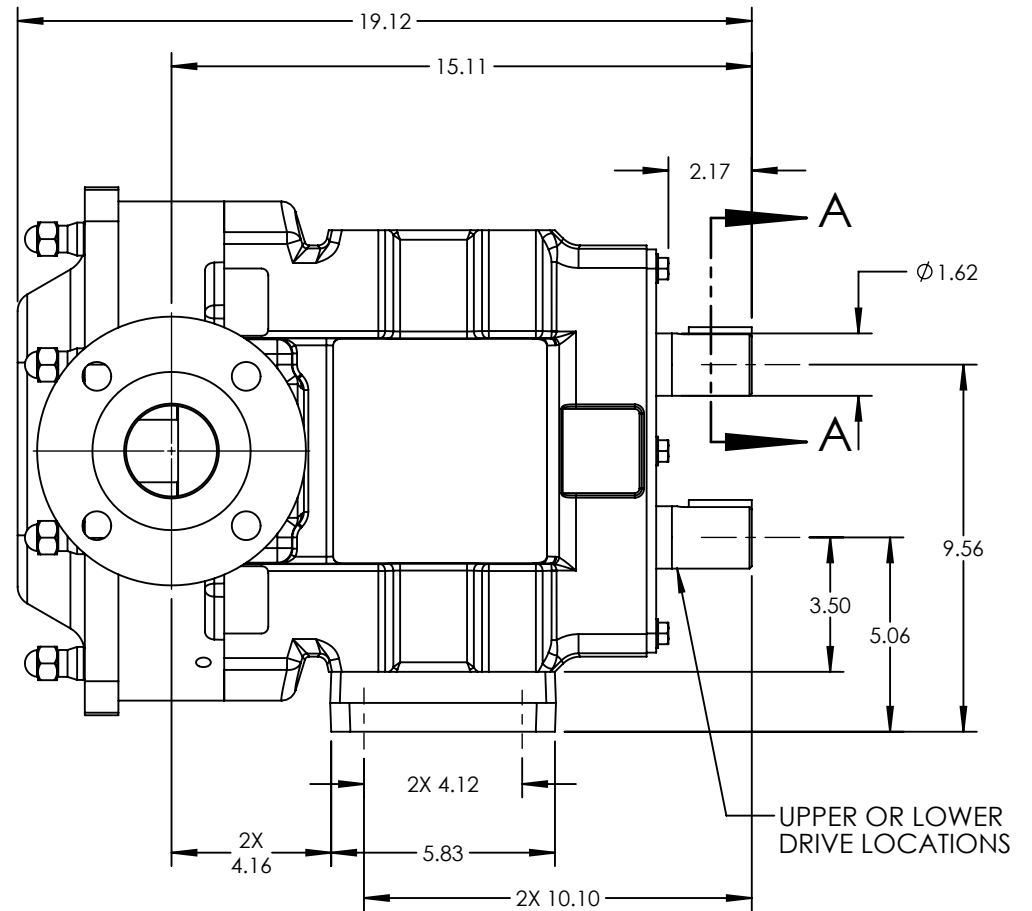
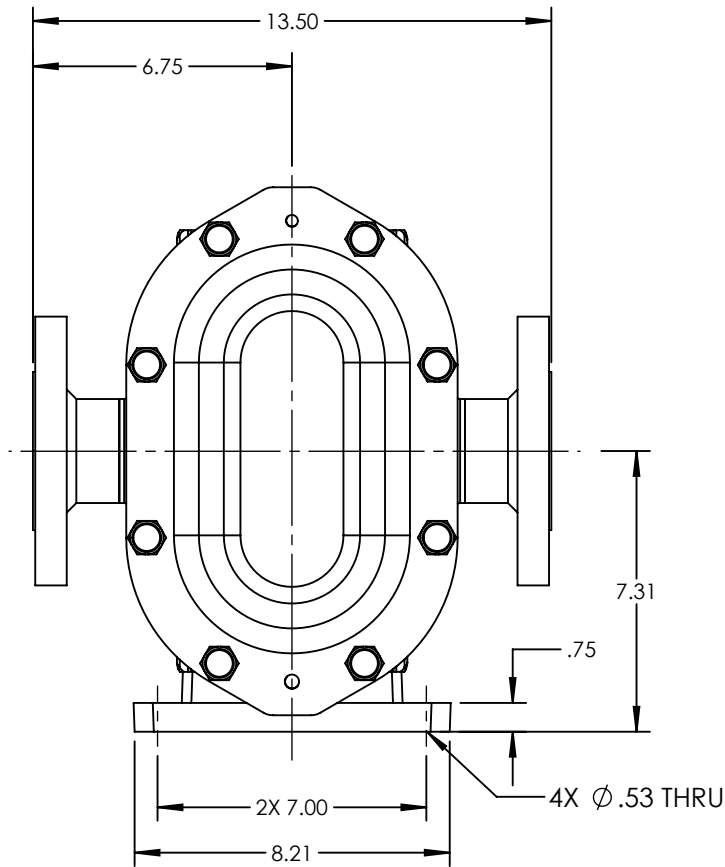


PUMP MODEL	TRA20-0600
ORIENTATION	HORIZONTAL
COVER TYPE	STANDARD
INLET	2.5" ANSI CLASS 150
DISCHARGE	2.5" ANSI CLASS 150
SPECIALS	NONE



SECTION A-A



NOTES:

1. THIS IS NOT A CERTIFIED DRAWING. USE FOR GENERAL INSTALLATION ONLY.

STATE	Released	02/16/2024	DIMENSIONS ARE IN INCHES
DRAWN	cneff	6/30/2015	
CHECKED	MEW	02/15/2024	
PROJECT:			WAS:
WAS:			



VIKING PUMP, INC.  
A Unit of IDEX Corporation  
Cedar Falls, IA 50613 U.S.A.  
VIKINGPUMP.COM

THIS DRAWING IS THE PROPERTY OF VIKING PUMP, INC. AND IS PROPRIETARY IN GENERAL AND DETAIL. IT SHALL NOT BE COPIED OR ITS CONTENTS REVEALED TO OUTSIDE PARTIES WITHOUT THE WRITTEN CONSENT OF VIKING PUMP, INC.

3D

DWG. NO. TRA20-0600-016  
SHEET 1 OF 1

REV. C.0  
02/16/2024