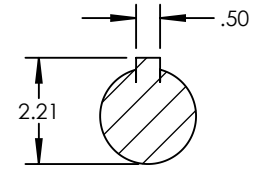
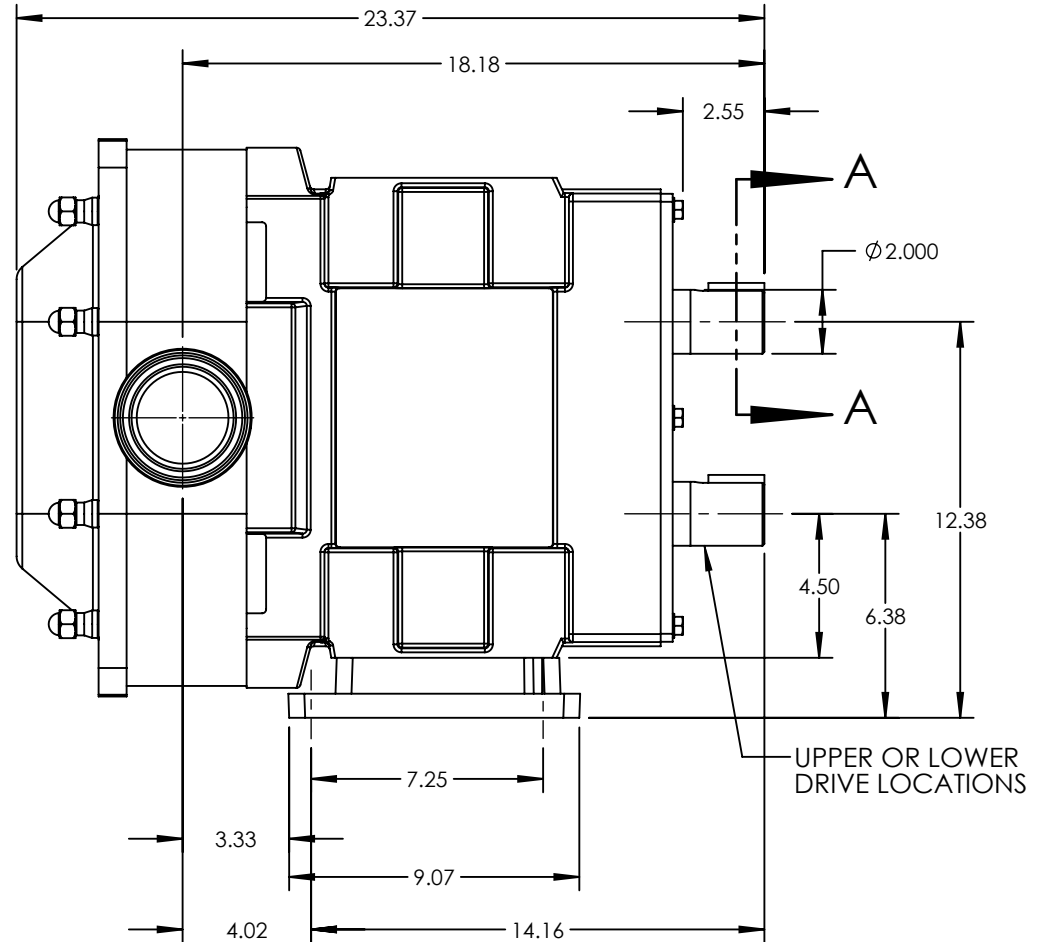
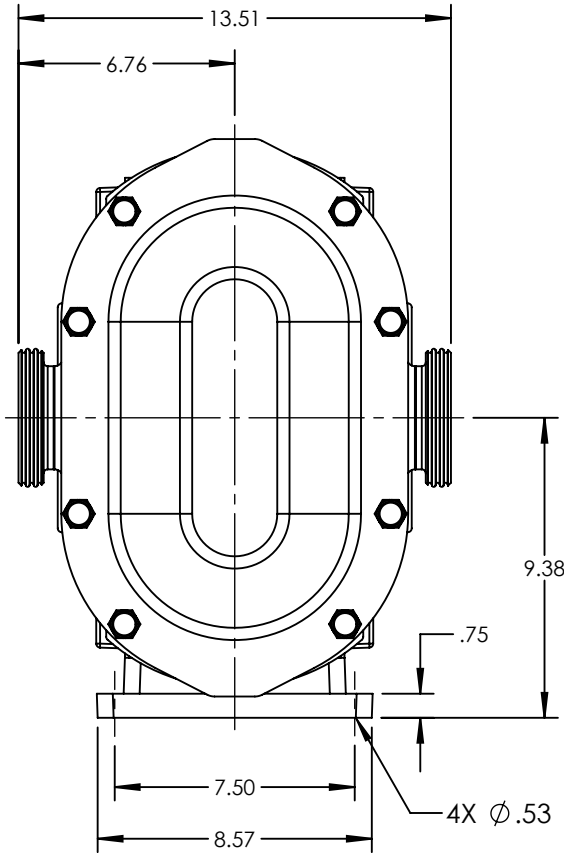


PUMP MODEL	TRA20-1800
ORIENTATION	HORIZONTAL
COVER TYPE	STANDARD
INLET	3.0" DIN 11851
DISCHARGE	3.0" DIN 11851
SPECIALS	NONE



SECTION A-A
SCALE 1 : 4



NOTES:

1. THIS IS NOT A CERTIFIED DRAWING. USE FOR GENERAL INSTALLATION ONLY.

STATE	Released	06/22/2022
DRAWN	cneff	11/11/2013
CHECKED	CJM	06/22/2022

DIMENSIONS ARE IN
INCHES
PROJECT:
WAS:



VIKING PUMP, INC.
A Unit of IDEX Corporation
Cedar Falls, IA 50613 U.S.A.
VIKINGPUMP.COM

THIS DRAWING IS THE PROPERTY OF
VIKING PUMP, INC. AND IS PROPRIETARY
IN GENERAL AND DETAIL. IT SHALL NOT BE
COPIED OR ITS CONTENTS REVEALED TO
OUTSIDE PARTIES WITHOUT THE WRITTEN
CONSENT OF VIKING PUMP, INC.

3D

DWG. NO. TRA20-1800-016
SHEET 1 OF 1

REV. B.1

06/22/2022