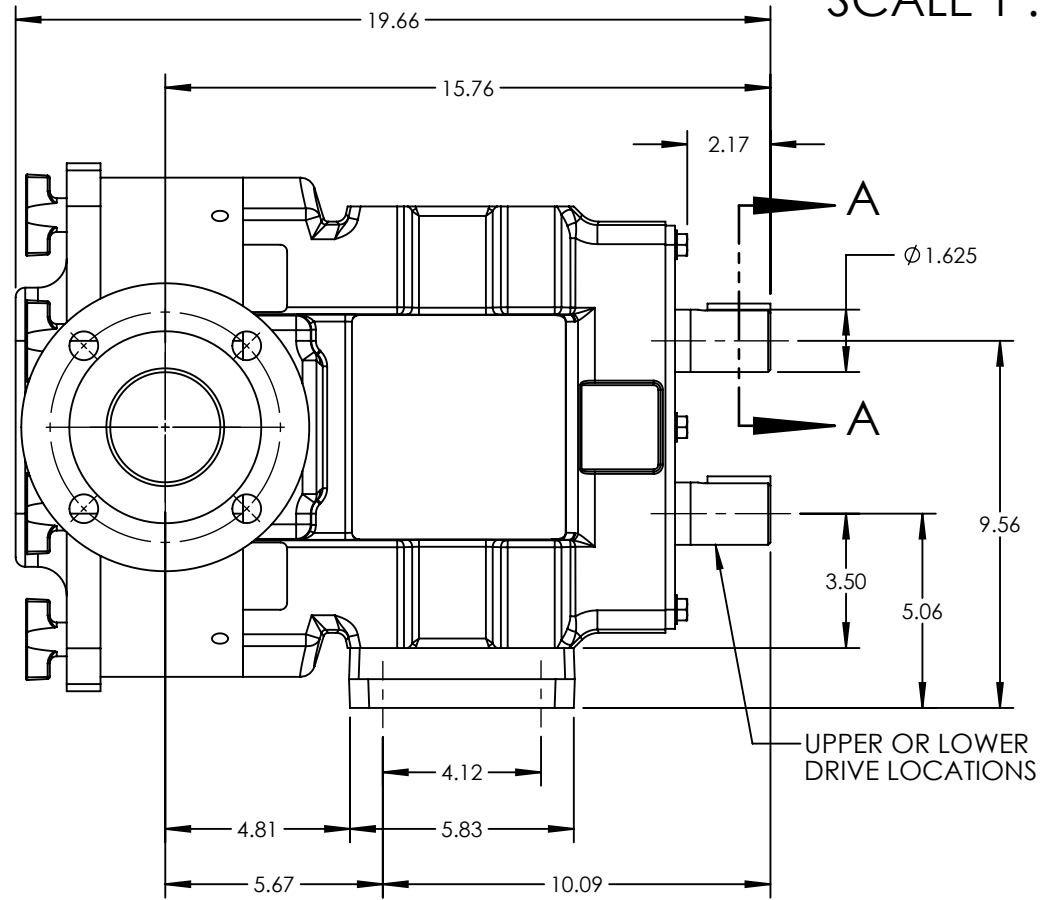
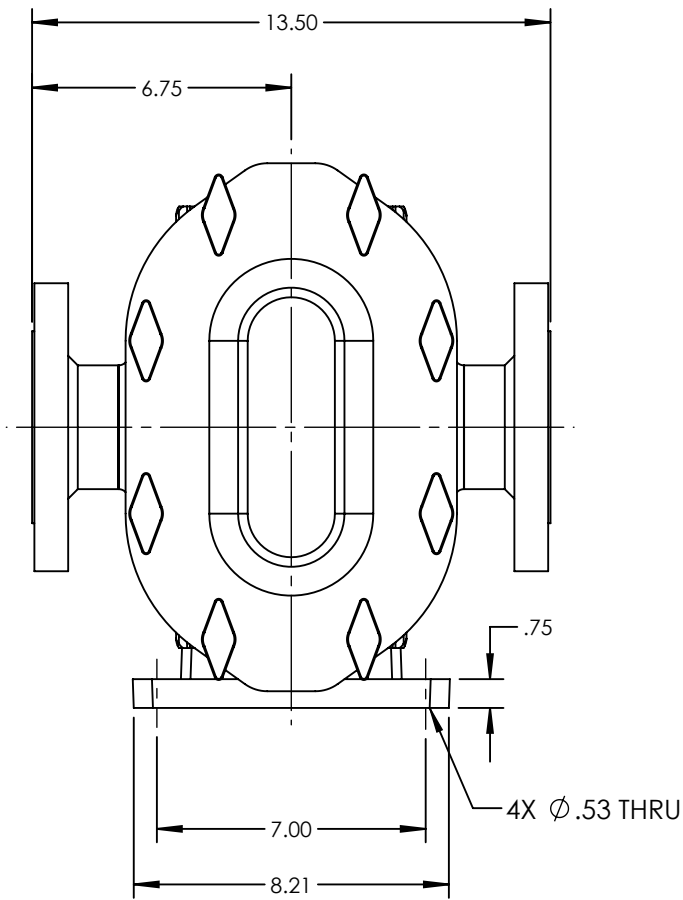
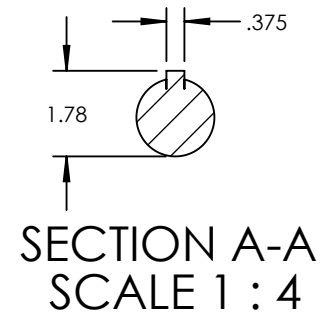


PUMP MODEL	TRA10-1300
ORIENTATION	HORIZONTAL
COVER	STANDARD
INLET	3.0" ASA/ANSI CLASS 150
DISCHARGE	3.0" ASA/ANSI CLASS 150
SPECIALS	NONE



NOTES:
1. THIS IS NOT A CERTIFIED DRAWING. USE FOR GENERAL INSTALLATION ONLY.

STATE	Released	04/04/2024	DIMENSIONS ARE IN INCHES		VIKING PUMP, INC. A Unit of IDEX Corporation Cedar Falls, IA 50613 U.S.A. VIKINGPUMP.COM	THIS DRAWING IS THE PROPERTY OF VIKING PUMP, INC. AND IS PROPRIETARY IN GENERAL AND DETAIL. IT SHALL NOT BE COPIED OR ITS CONTENTS REVEALED TO OUTSIDE PARTIES WITHOUT THE WRITTEN CONSENT OF VIKING PUMP, INC.	3D	DWG. NO.	SHEET 1 OF 1	REV. E.0	
DRAWN	cmihm	11/16/2012						PROJECT:	TRA10-1300-007		
CHECKED	MEW	04/04/2024						WAS:			04/04/2024