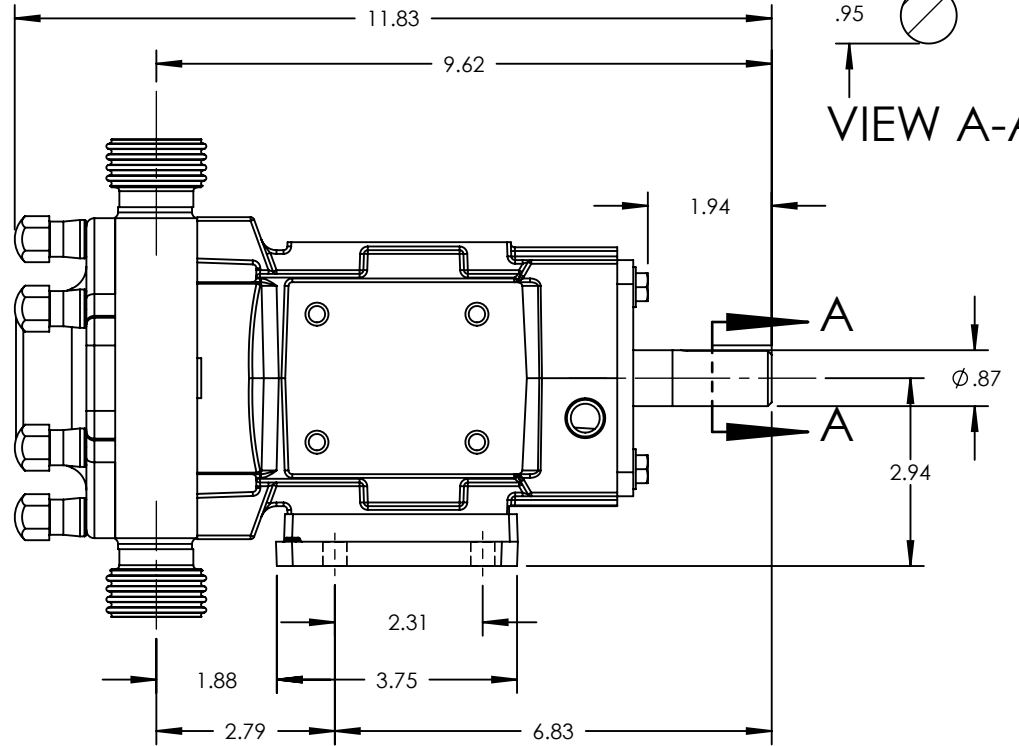
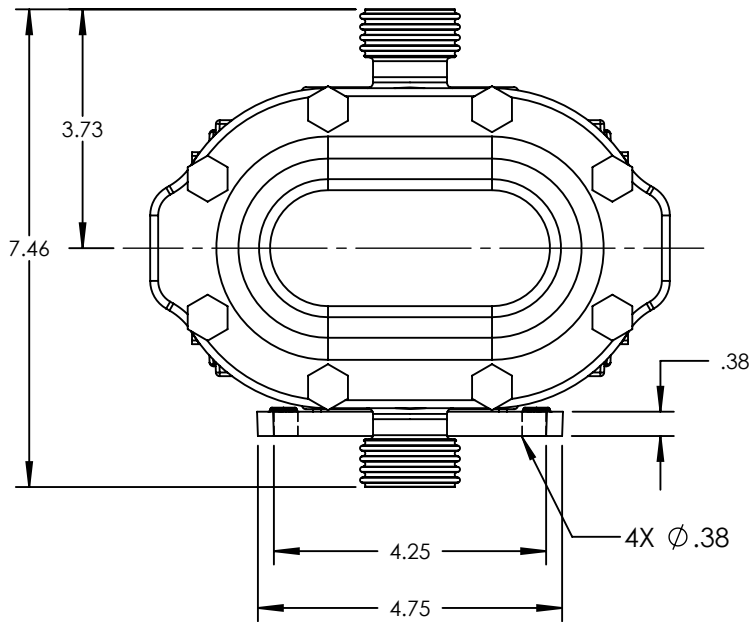
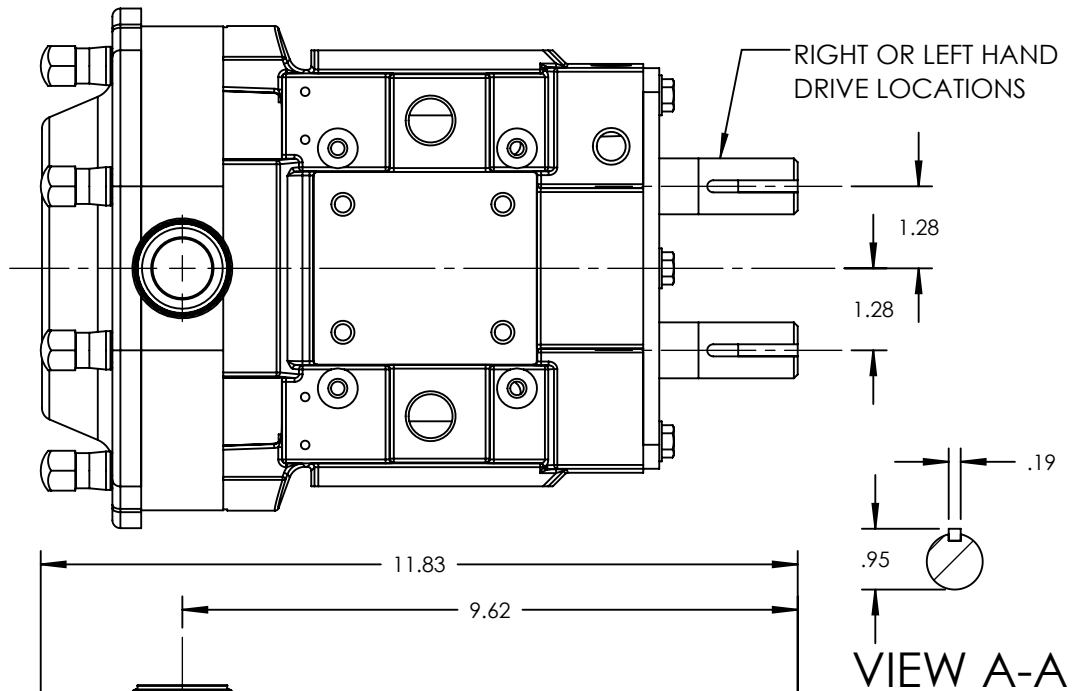


PUMP MODEL	TRA20-0060
ORIENTATION	VERTICAL
COVER TYPE	STANDARD
SUCTION	1.0" SMS
DISCHARGE	1.0" SMS
SPECIALS	NONE



NOTES:
 1. THIS IS NOT A CERTIFIED DRAWING. USE FOR GENERAL INSTALLATION ONLY.

STATE	Released	11/04/2019
DRAWN	DJaramillo	11/4/2019
CHECKED	BAM	11/04/2019

DIMENSIONS ARE IN INCHES	
PROJECT:	
WAS:	



THIS DRAWING IS THE PROPERTY OF WRIGHTFLOW TECHNOLOGIES AND IS PROPRIETARY IN GENERAL AND DETAIL. IT SHALL NOT BE COPIED OR ITS CONTENTS REVEALED TO OUTSIDE PARTIES WITHOUT THE WRITTEN CONSENT OF WRIGHTFLOW TECHNOLOGIES

3D

DWG. NO.	TRA20-0060-015
SHEET 1 OF 2	

REV.	A.0
------	-----

