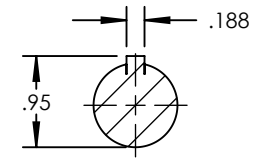
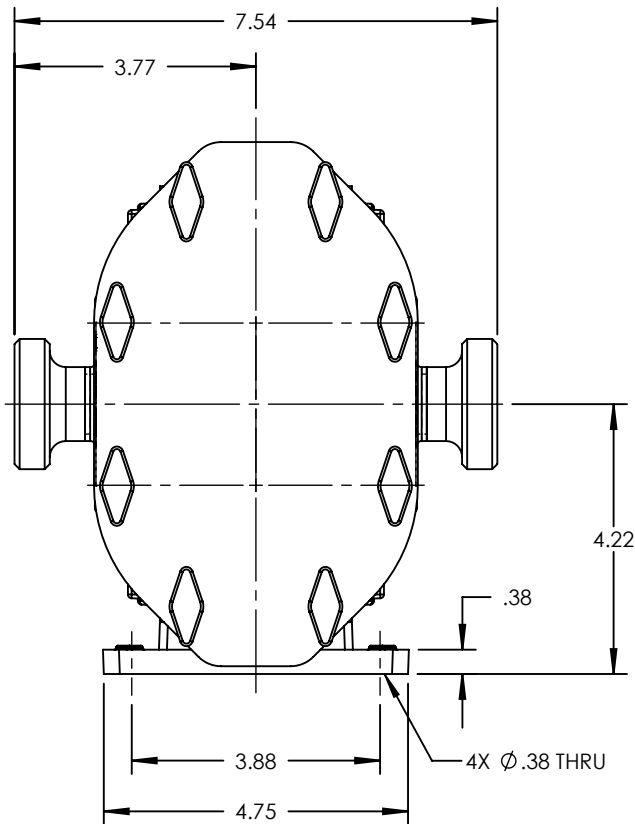


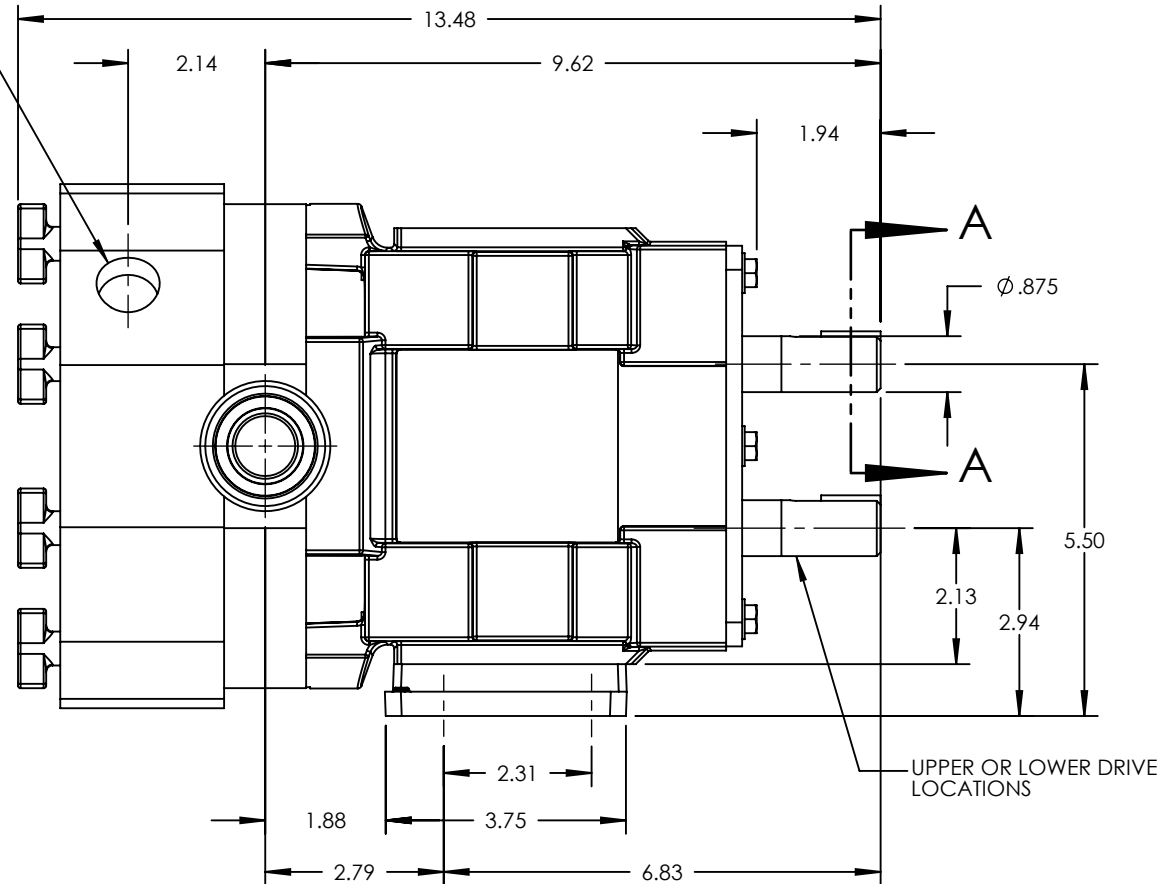
PUMP MODEL	TRA10-0060
ORIENTATION	HORIZONTAL
COVER	JACKETED
INLET	1.0" DIN 11851
DISCHARGE	1.0" DIN 11851
SPECIALS	NONE



SECTION A-A  
SCALE 1 : 2



2X 3/4-14 NPT  
JACKET CONNECTIONS



NOTES:

1. THIS IS NOT A CERTIFIED DRAWING. USE FOR GENERAL INSTALLATION ONLY.

STATE	Released	05/19/2016	DIMENSIONS ARE IN INCHES
DRAWN	jgerbig	5/19/2016	
CHECKED	JAG	05/19/2016	
PROJECT:			WAS:



THIS DRAWING IS THE PROPERTY OF WRIGHTFLOW TECHNOLOGIES AND IS PROPRIETARY IN GENERAL AND DETAIL. IT SHALL NOT BE COPIED OR ITS CONTENTS REVEALED TO OUTSIDE PARTIES WITHOUT THE WRITTEN CONSENT OF WRIGHTFLOW TECHNOLOGIES

3D

DWG. NO. TRA10-0060-009

SHEET 1 OF 2

REV. B.0

