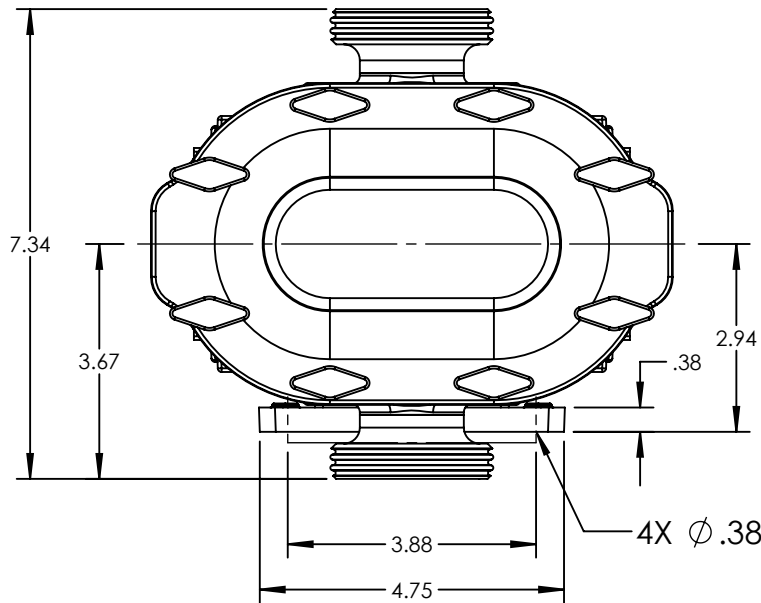
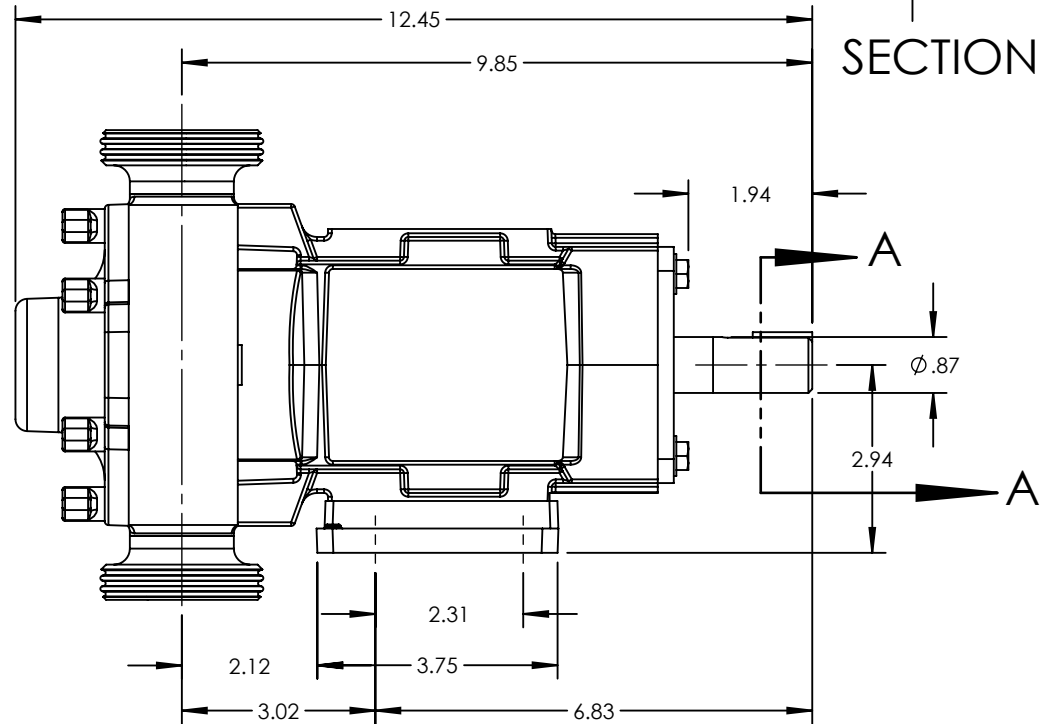
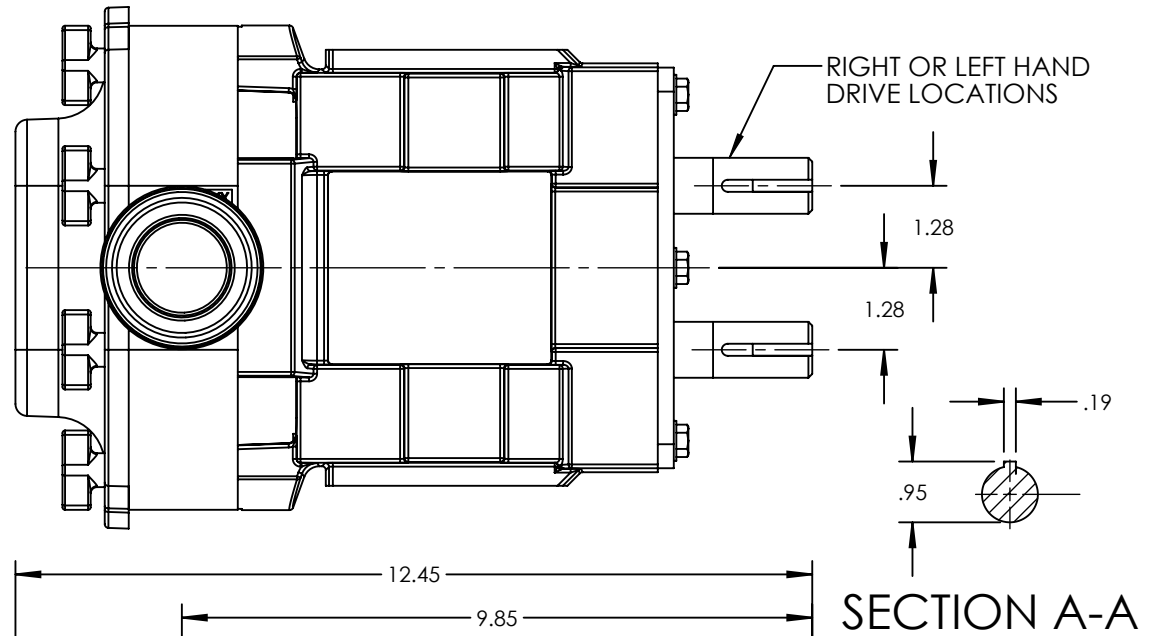


PUMP MODEL	TRA10-0180
ORIENTATION	VERTICAL
COVER	STANDARD
INLET	1.5" DIN 11851
DISCHARGE	1.5" DIN 11851
SPECIALS	NONE



NOTES:
 1. THIS IS NOT A CERTIFIED DRAWING. USE FOR GENERAL INSTALLATION ONLY.

STATE	Released	06/27/2022
DRAWN	jgerbig	9/14/2018
CHECKED	CJM	06/27/2022

DIMENSIONS ARE IN INCHES
 PROJECT:
 WAS:



VIKING PUMP, INC.
 A Unit of IDEX Corporation
 Cedar Falls, IA 50613 U.S.A.
 VIKINGPUMP.COM

THIS DRAWING IS THE PROPERTY OF VIKING PUMP, INC. AND IS PROPRIETARY IN GENERAL AND DETAIL. IT SHALL NOT BE COPIED OR ITS CONTENTS REVEALED TO OUTSIDE PARTIES WITHOUT THE WRITTEN CONSENT OF VIKING PUMP, INC.

3D

DWG. NO. TRA10-0180-016
 SHEET 1 OF 1

REV. B.1
 06/27/2022