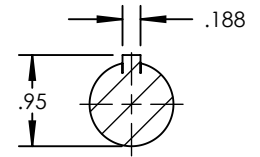
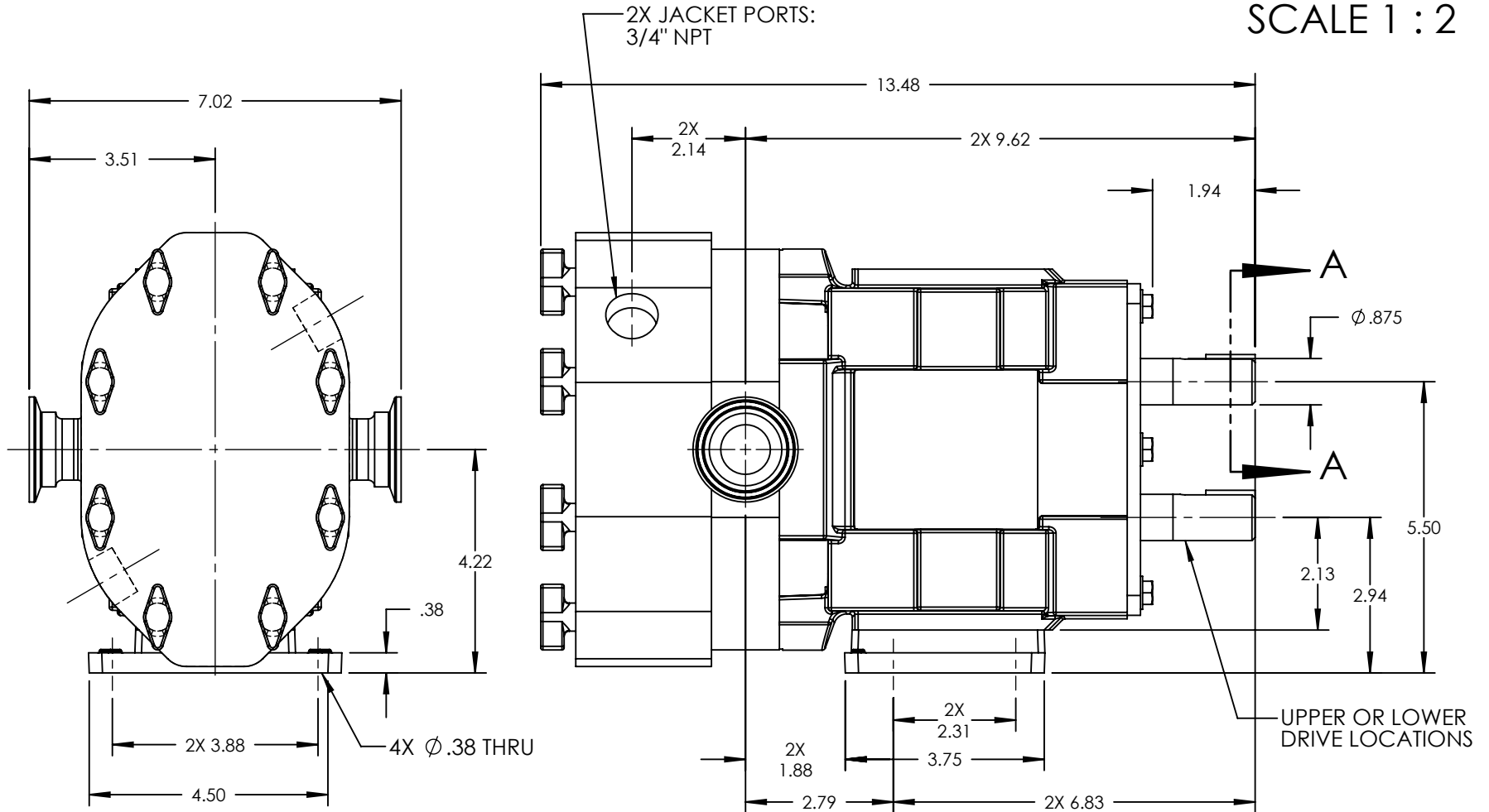


PUMP MODEL	TRA10-0150
ORIENTATION	HORIZONTAL
COVER	JACKETED
INLET	1.5" TRI-CLAMP
DISCHARGE	1.5" TRI-CLAMP
SPECIALS	NONE



SECTION A-A
SCALE 1 : 2



NOTES:

- THIS IS NOT A CERTIFIED DRAWING. USE FOR GENERAL INSTALLATION ONLY.

STATE	Released	07/14/2015
DRAWN	cneff	6/5/2013
CHECKED	CJN	07/14/2015

DIMENSIONS ARE IN INCHES	
PROJECT:	
WAS:	

wrightflow TECHNOLOGIES
Wrightflow Technologies, A Unit of IDEX Corporation Cedar Falls, IA 50613 U.S.A. Eastborne, East Sussex, BN23 6PT UK

THIS DRAWING IS THE PROPERTY OF WRIGHTFLOW TECHNOLOGIES AND IS PROPRIETARY IN GENERAL AND DETAIL. IT SHALL NOT BE COPIED OR ITS CONTENTS REVEALED TO OUTSIDE PARTIES WITHOUT THE WRITTEN CONSENT OF WRIGHTFLOW TECHNOLOGIES

3D

DWG. NO.	TRA10-0150-018
SHEET 1 OF 2	

REV. A.1	
07/14/2015	

