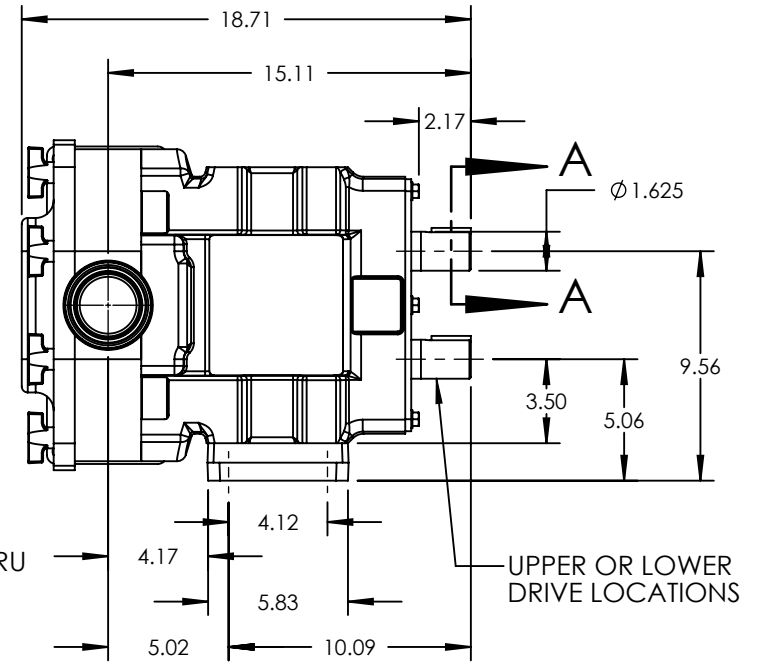
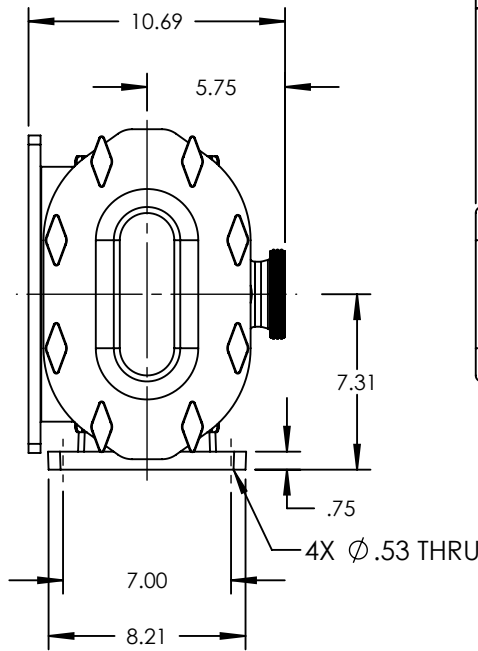
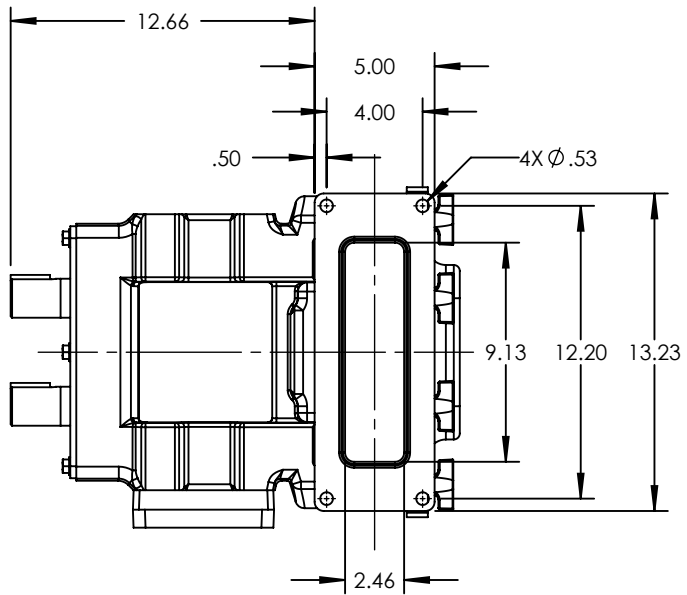
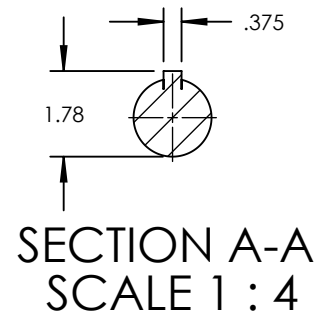


PUMP MODEL	TRA10-0640
ORIENTATION	HORIZONTAL
COVER	STANDARD
INLET	RECTANGULAR FLANGE
DISCHARGE	2.5" DIN 11851
SPECIALS	NONE



NOTES:

- THIS IS NOT A CERTIFIED DRAWING. USE FOR GENERAL INSTALLATION ONLY.

STATE	Released	01/17/2017
DRAWN	jgerbig	1/17/2017
CHECKED	JAG	01/17/2017

DIMENSIONS ARE IN INCHES	
PROJECT:	
WAS:	



THIS DRAWING IS THE PROPERTY OF WRIGHTFLOW TECHNOLOGIES AND IS PROPRIETARY IN GENERAL AND DETAIL. IT SHALL NOT BE COPIED OR ITS CONTENTS REVEALED TO OUTSIDE PARTIES WITHOUT THE WRITTEN CONSENT OF WRIGHTFLOW TECHNOLOGIES

3D

DWG. NO. TRA10-0640-016
SHEET 1 OF 2

REV. A.0

