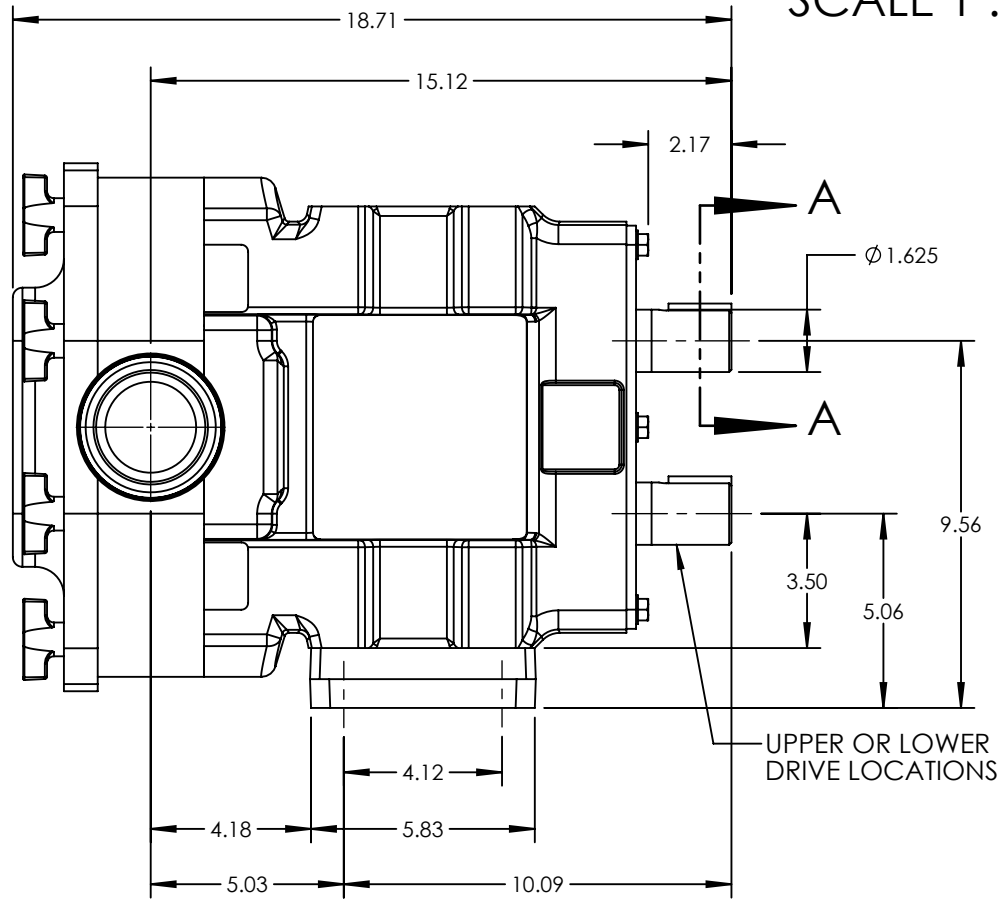
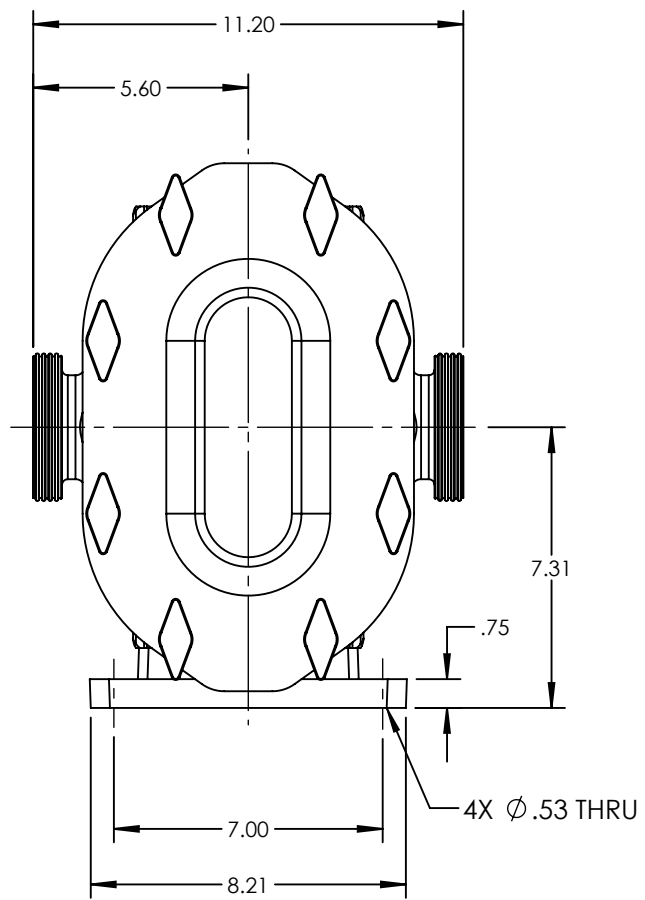
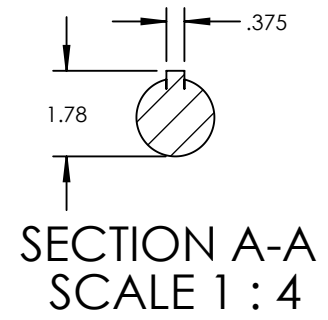


PUMP MODEL	TRA10-0600
ORIENTATION	HORIZONTAL
COVER	STANDARD
INLET	3.0" SMS
DISCHARGE	3.0" SMS
SPECIALS	NONE



NOTES:  
1. THIS IS NOT A CERTIFIED DRAWING. USE FOR GENERAL INSTALLATION ONLY.

STATE	Released	03/26/2024	DIMENSIONS ARE IN INCHES	<b>VIKING PUMP</b> VIKING PUMP, INC. A Unit of IDEX Corporation Cedar Falls, IA 50613 U.S.A. VIKINGPUMP.COM	THIS DRAWING IS THE PROPERTY OF VIKING PUMP, INC. AND IS PROPRIETARY IN GENERAL AND DETAIL. IT SHALL NOT BE COPIED OR ITS CONTENTS REVEALED TO OUTSIDE PARTIES WITHOUT THE WRITTEN CONSENT OF VIKING PUMP, INC.	3D	DWG. NO. TRA10-0600-020	SHEET 1 OF 1	REV. B.0
DRAWN	cmihm	11/8/2012							PROJECT:
CHECKED	MEW	03/26/2024	WAS:						03/26/2024