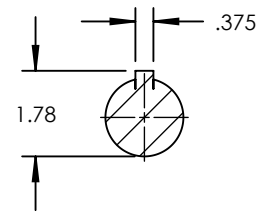
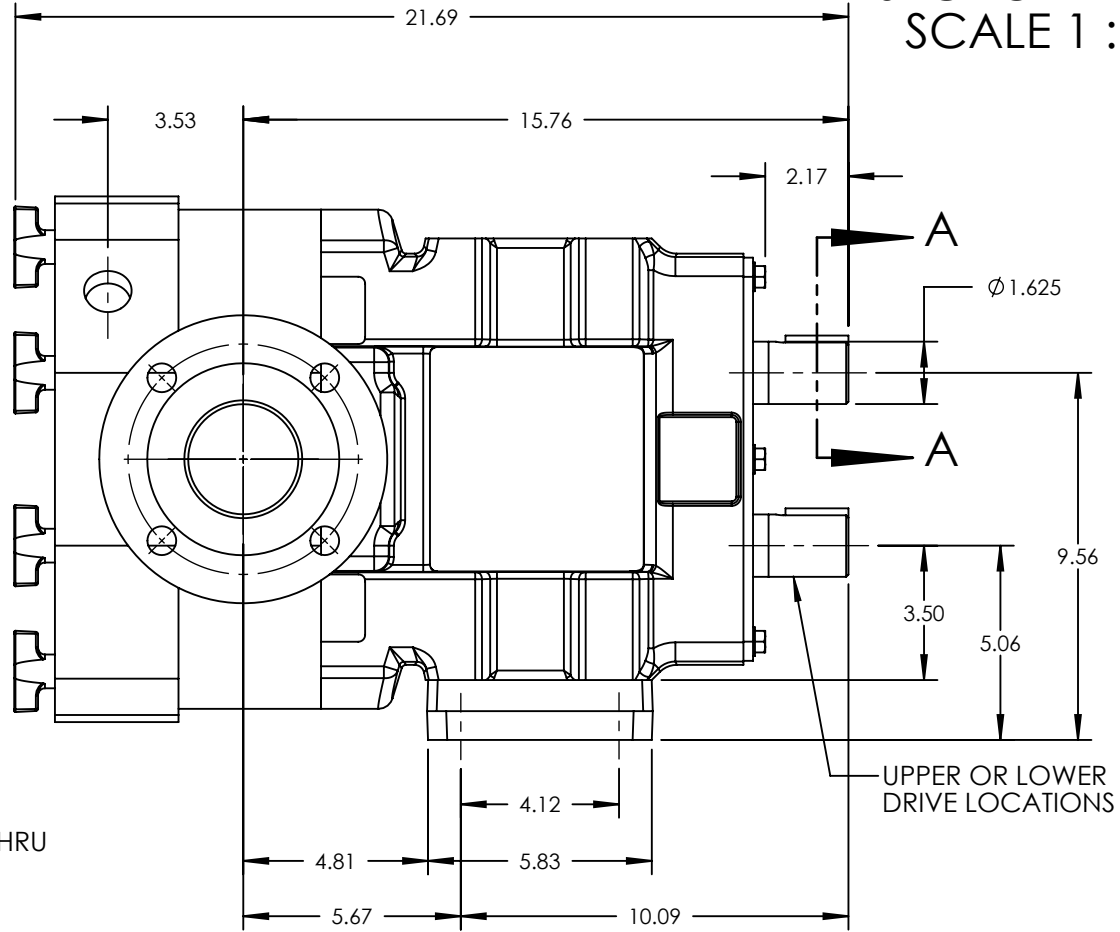
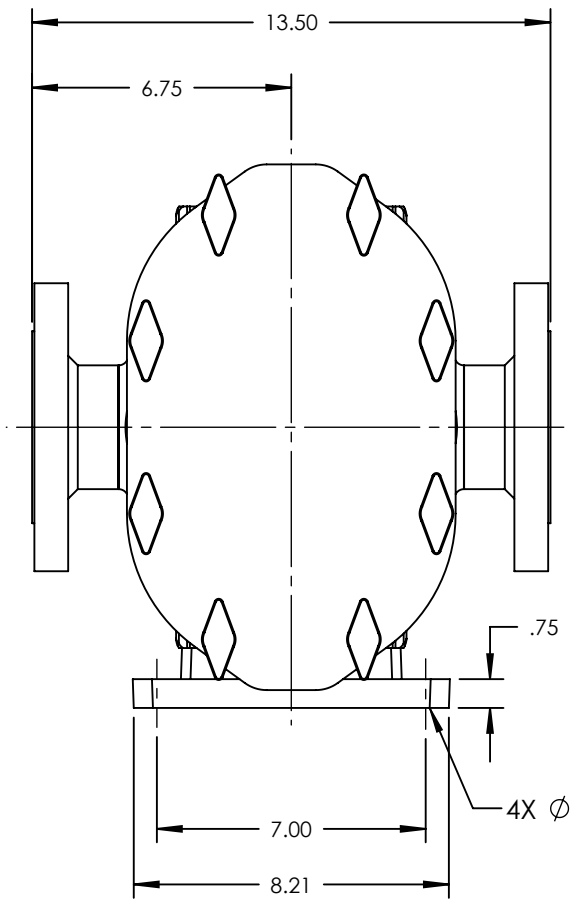


PUMP MODEL	TRA10-1300
ORIENTATION	HORIZONTAL
COVER	JACKETED
INLET	3.0" ASA/ANSI CLASS 150
DISCHARGE	3.0" ASA/ANSI CLASS 150
SPECIALS	NONE



SECTION A-A  
SCALE 1 : 4



UPPER OR LOWER  
DRIVE LOCATIONS

NOTES:  
1. THIS IS NOT A CERTIFIED DRAWING. USE FOR GENERAL INSTALLATION ONLY.

STATE	Released	06/01/2016	DIMENSIONS ARE IN INCHES		<small>Wrightflow Technologies, A Unit of IDEX Corporation Cedar Falls, IA 50613 U.S.A. Eastborne, East Sussex, BN23 6PT UK</small>	<small>THIS DRAWING IS THE PROPERTY OF WRIGHTFLOW TECHNOLOGIES AND IS PROPRIETARY IN GENERAL AND DETAIL. IT SHALL NOT BE COPIED OR ITS CONTENTS REVEALED TO OUTSIDE PARTIES WITHOUT THE WRITTEN CONSENT OF WRIGHTFLOW TECHNOLOGIES</small>	DWG. NO.	SHEET 1 OF 2	REV. B.0		
DRAWN	jgerbig	6/1/2016					PROJECT:	3D	TRA10-1300-015		
CHECKED	JAG	06/01/2016					WAS:				

