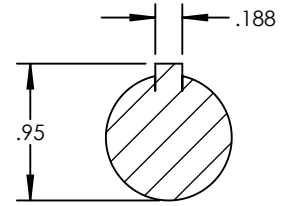
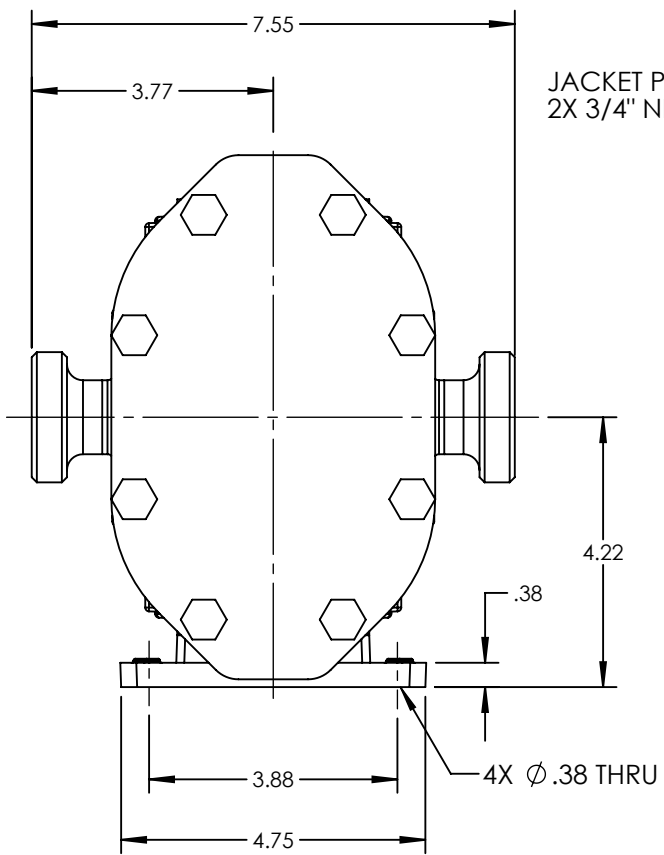


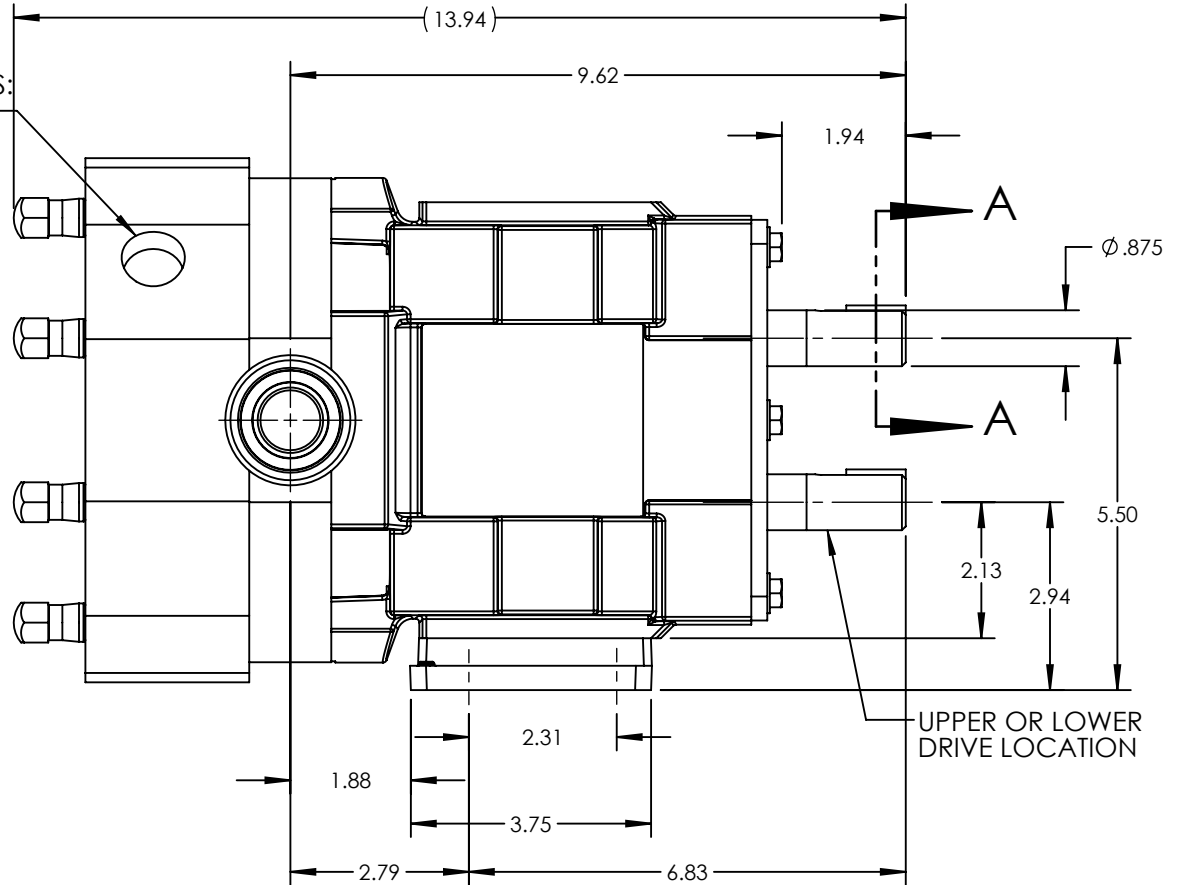
| | |
|-------------|----------------|
| PUMP MODEL | TRA20-0060 |
| ORIENTATION | HORIZONTAL |
| COVER TYPE | JACKETED |
| SUCTION | 1.0" DIN 11851 |
| DISCHARGE | 1.0" DIN 11851 |
| SPECIALS | NONE |



SECTION A-A
SCALE 3 : 4



JACKET PORTS:
2X 3/4" NPT



NOTES:
1. THIS IS NOT A CERTIFIED DRAWING. USE FOR GENERAL INSTALLATION ONLY.

| | | |
|---------|----------|------------|
| STATE | Released | 06/22/2022 |
| DRAWN | cmihm | 11/15/2012 |
| CHECKED | CJM | 06/22/2022 |

DIMENSIONS ARE IN INCHES
PROJECT:
WAS:



VIKING PUMP, INC.
A Unit of IDEX Corporation
Cedar Falls, IA 50613 U.S.A.
VIKINGPUMP.COM

THIS DRAWING IS THE PROPERTY OF VIKING PUMP, INC. AND IS PROPRIETARY IN GENERAL AND DETAIL. IT SHALL NOT BE COPIED OR ITS CONTENTS REVEALED TO OUTSIDE PARTIES WITHOUT THE WRITTEN CONSENT OF VIKING PUMP, INC.

3D

DWG. NO. TRA20-0060-011
SHEET 1 OF 1

REV. A.1
06/22/2022