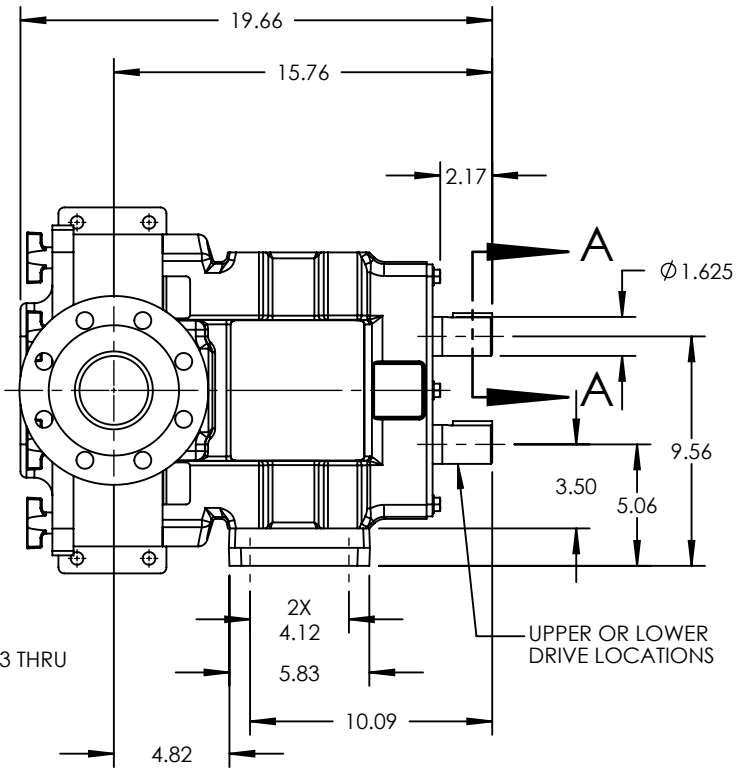
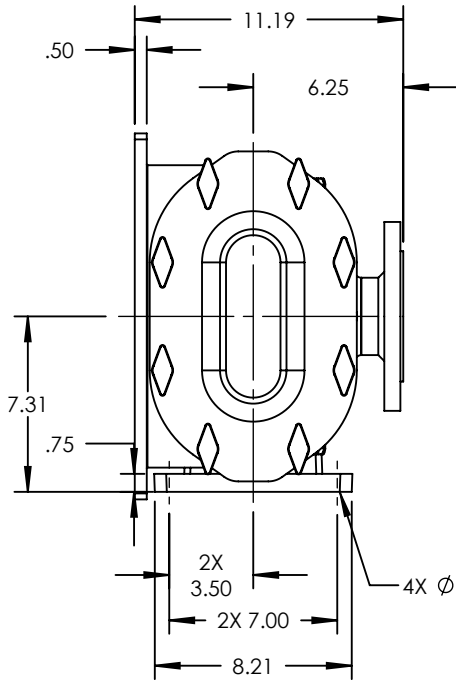
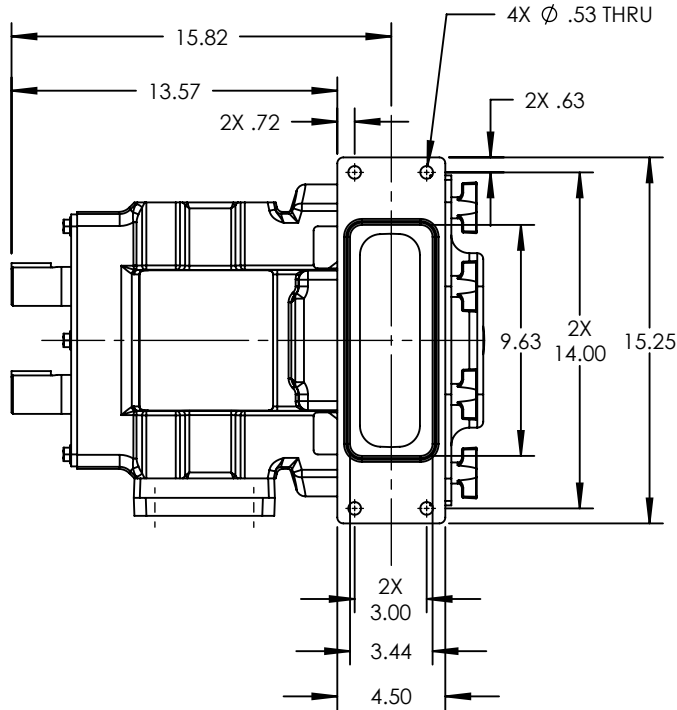
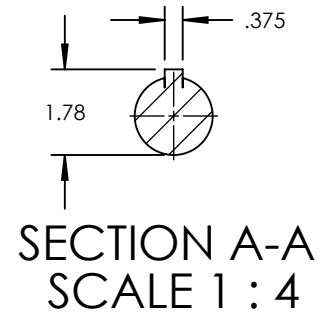


PUMP MODEL	TRA10-1340
ORIENTATION	HORIZONTAL
COVER	STANDARD
INLET	RECTANGULAR FLANGE
DISCHARGE	3.0" DIN 2633 FLANGE
SPECIALS	NONE



NOTES:
 1. THIS IS NOT A CERTIFIED DRAWING. USE FOR GENERAL INSTALLATION ONLY.

STATE	Released	03/27/2018	DIMENSIONS ARE IN INCHES		<small>Wrightflow Technologies, A Unit of IDEX Corporation Cedar Falls, IA 50613 U.S.A. Eastborne, East Sussex, BN23 6PT UK</small>	<small>THIS DRAWING IS THE PROPERTY OF WRIGHTFLOW TECHNOLOGIES AND IS PROPRIETARY IN GENERAL AND DETAIL. IT SHALL NOT BE COPIED OR ITS CONTENTS REVEALED TO OUTSIDE PARTIES WITHOUT THE WRITTEN CONSENT OF WRIGHTFLOW TECHNOLOGIES</small>	3D	DWG. NO.	SHEET 1 OF 2	REV. A.0
DRAWN	jgerbig	3/27/2018						PROJECT:	TRA10-1340-017	03/03/2014
CHECKED	JAG	03/27/2018	WAS:							

