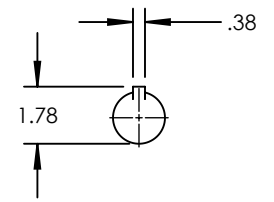
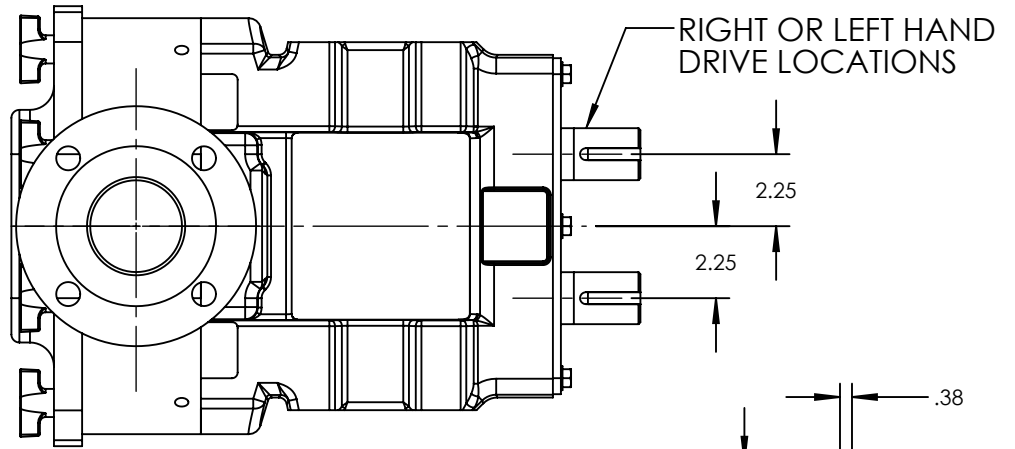
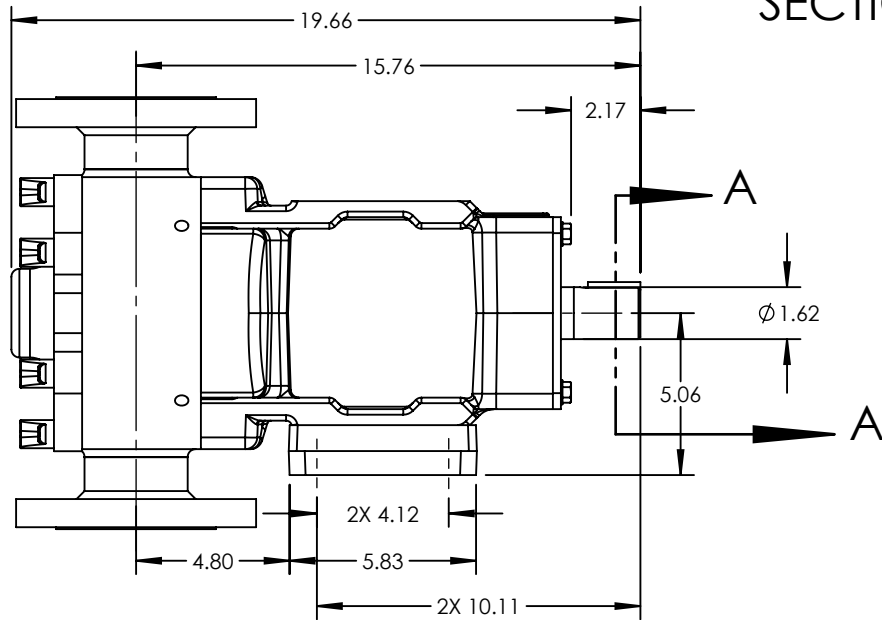
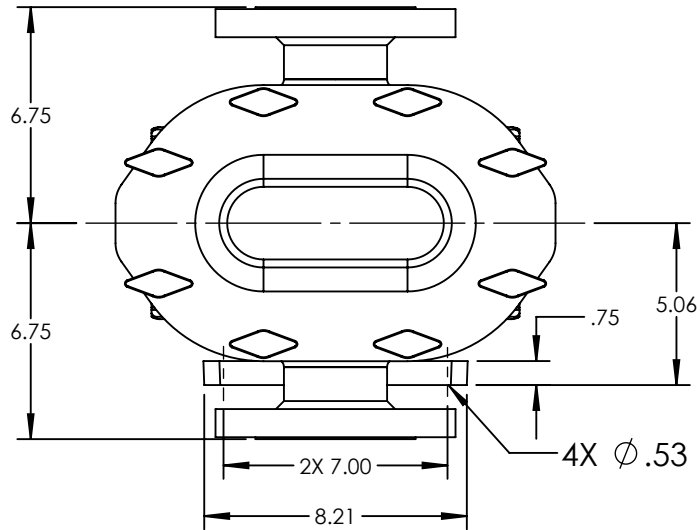


PUMP MODEL	TRA10-1300
ORIENTATION	VERTICAL
COVER	STANDARD
INLET	3.0" ANSI CLASS 150
DISCHARGE	3.0" ANSI CLASS 150
SPECIALS	NONE



SECTION A-A



NOTES:  
1. THIS IS NOT A CERTIFIED DRAWING. USE FOR GENERAL INSTALLATION ONLY.

STATE	Released	04/11/2024
DRAWN	jgerbig	1/16/2015
CHECKED	MEW	04/09/2024

DIMENSIONS ARE IN INCHES  
PROJECT:  
WAS:



VIKING PUMP, INC.  
A Unit of IDEX Corporation  
Cedar Falls, IA 50613 U.S.A.  
VIKINGPUMP.COM

THIS DRAWING IS THE PROPERTY OF VIKING PUMP, INC. AND IS PROPRIETARY IN GENERAL AND DETAIL. IT SHALL NOT BE COPIED OR ITS CONTENTS REVEALED TO OUTSIDE PARTIES WITHOUT THE WRITTEN CONSENT OF VIKING PUMP, INC.

3D

DWG. NO. TRA10-1300-024

SHEET 1 OF 1

REV. B.0

04/11/2024