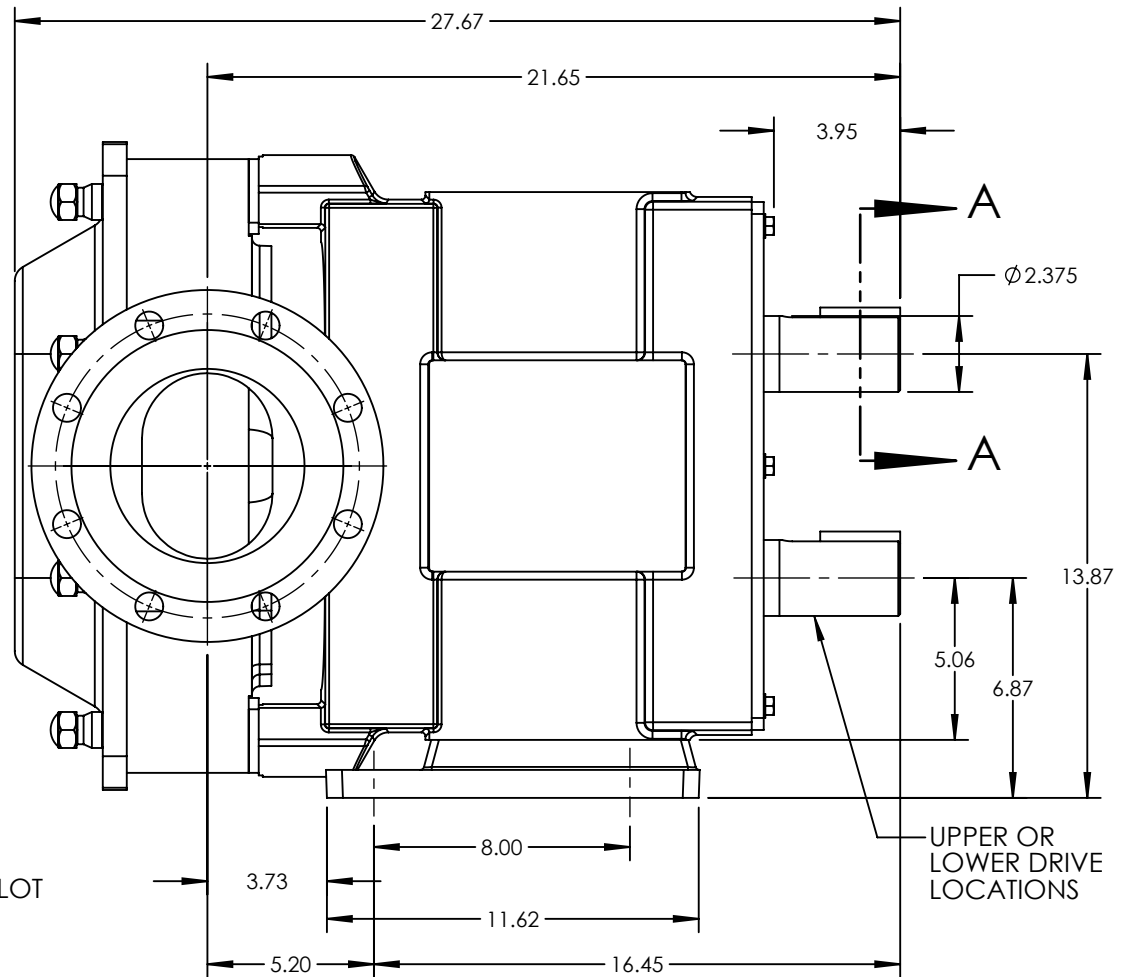
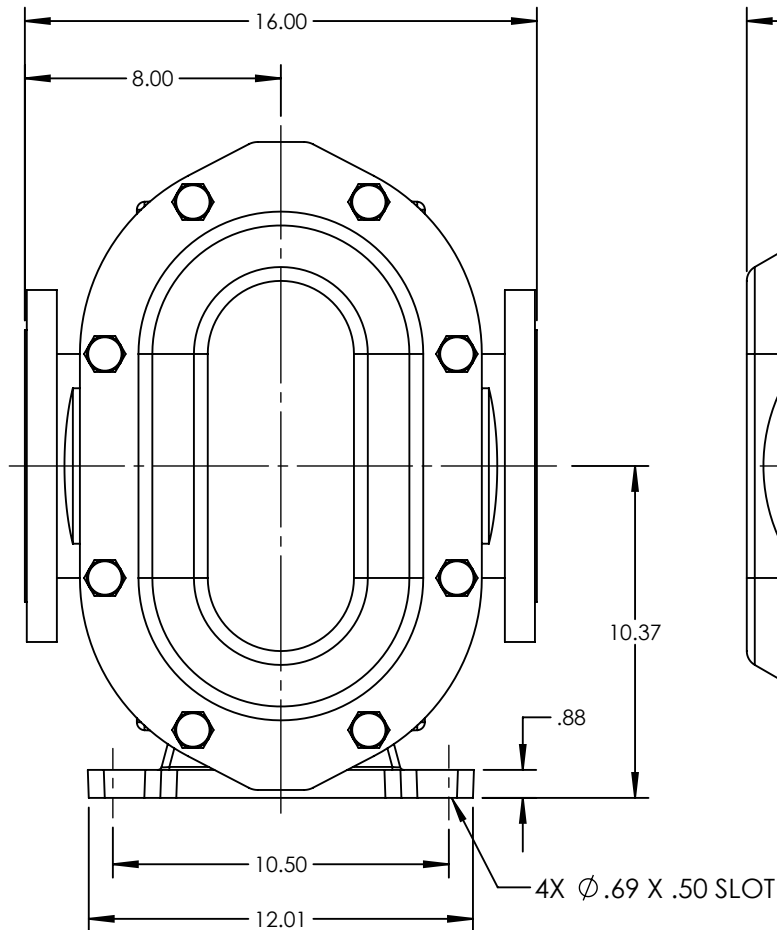
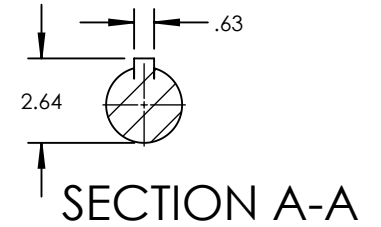


PUMP MODEL	TRA20-3200
ORIENTATION	HORIZONTAL
COVER TYPE	STANDARD
INLET	6.0" ANSI/ASA CLASS 150 RAISED FACE FLANGE
DISCHARGE	6.0" ASA/ANSI CLASS 150 RAISED FACE FLANGE
SPECIALS	NONE



NOTES:

- THIS IS NOT A CERTIFIED DRAWING. USE FOR GENERAL INSTALLATION ONLY.

STATE	Released	06/27/2022	DIMENSIONS ARE IN INCHES	VIKING PUMP VIKING PUMP, INC. A Unit of IDEX Corporation Cedar Falls, IA 50613 U.S.A. VIKINGPUMP.COM	THIS DRAWING IS THE PROPERTY OF VIKING PUMP, INC. AND IS PROPRIETARY IN GENERAL AND DETAIL. IT SHALL NOT BE COPIED OR ITS CONTENTS REVEALED TO OUTSIDE PARTIES WITHOUT THE WRITTEN CONSENT OF VIKING PUMP, INC.	3D	DWG. NO. TRA20-3200-001	SHEET 1 OF 1	REV. B.1
DRAWN	cmihm	1/3/2013							PROJECT:
CHECKED	CJM	06/27/2022	WAS:						