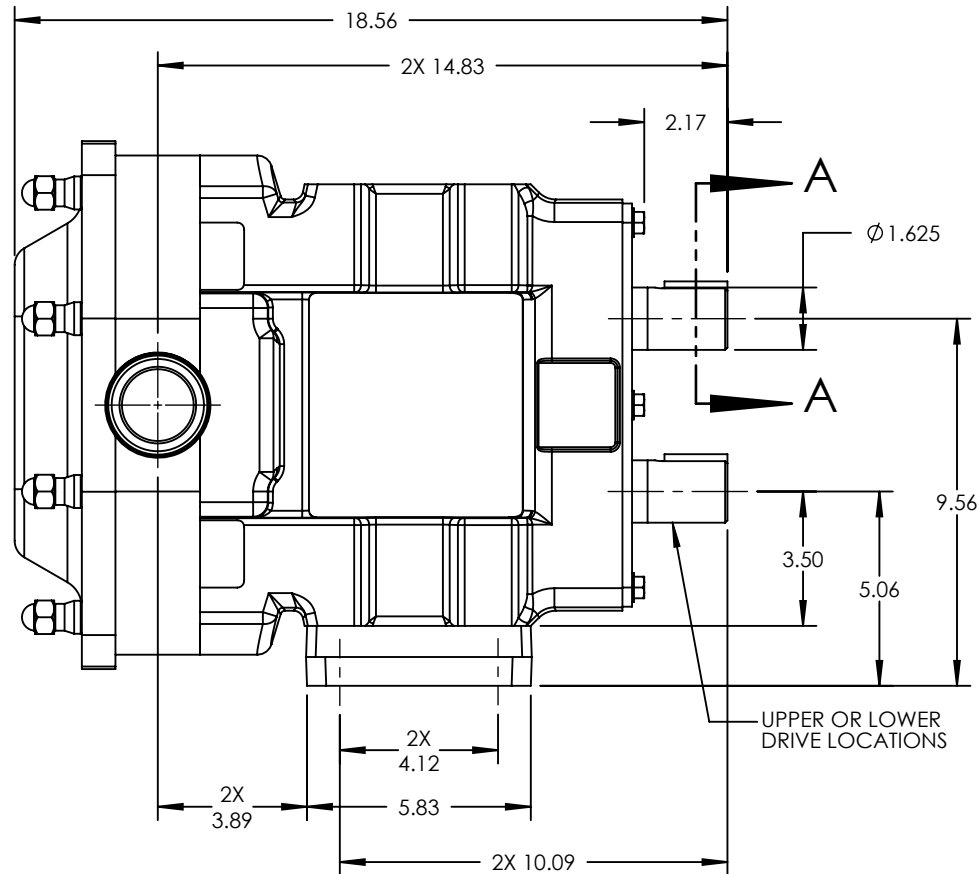
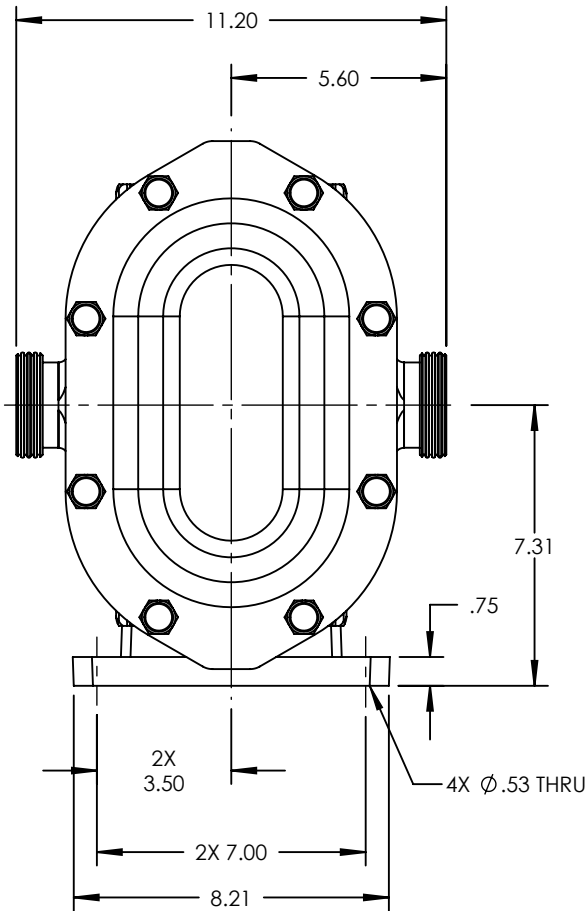
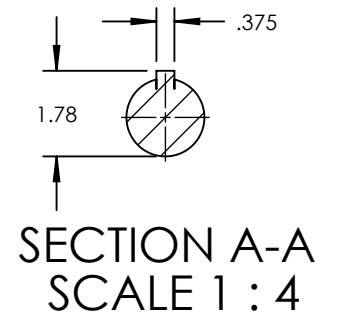


PUMP MODEL	TRA20-0450
ORIENTATION	HORIZONTAL
COVER	STANDARD
INLET	2.0" SMS
DISCHARGE	2.0" SMS
SPECIALS	NONE



NOTES:
 1. THIS IS NOT A CERTIFIED DRAWING. USE FOR GENERAL INSTALLATION ONLY.

STATE	Released	09/21/2015
DRAWN	cneff	9/21/2015
CHECKED	CJN	09/21/2015

DIMENSIONS ARE IN INCHES	
PROJECT:	
WAS:	

wrightflow TECHNOLOGIES
 Wrightflow Technologies,
 A Unit of IDEX Corporation
 Cedar Falls, IA 50613 U.S.A.
 Eastborne, East Sussex, BN23 6PT UK

THIS DRAWING IS THE PROPERTY OF WRIGHTFLOW TECHNOLOGIES AND IS PROPRIETARY IN GENERAL AND DETAIL. IT SHALL NOT BE COPIED OR ITS CONTENTS REVEALED TO OUTSIDE PARTIES WITHOUT THE WRITTEN CONSENT OF WRIGHTFLOW TECHNOLOGIES

3D	DWG. NO.	SHEET 1 OF 2	REV. A.0
	TRA20-0450-018		

