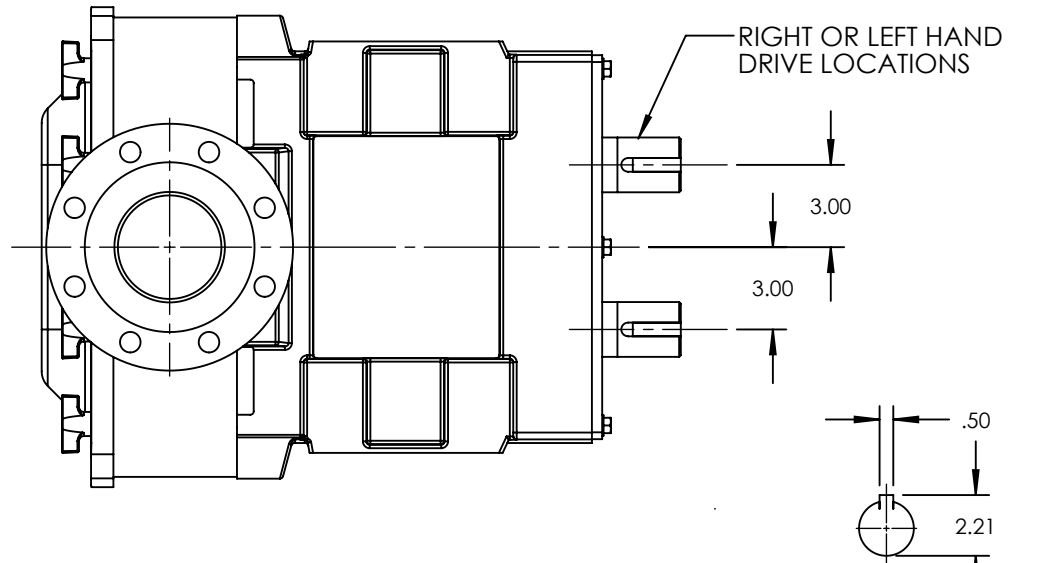
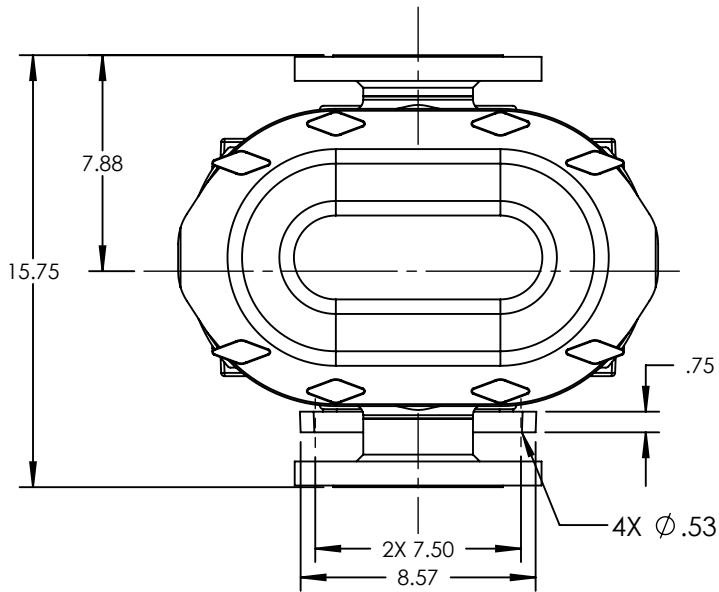
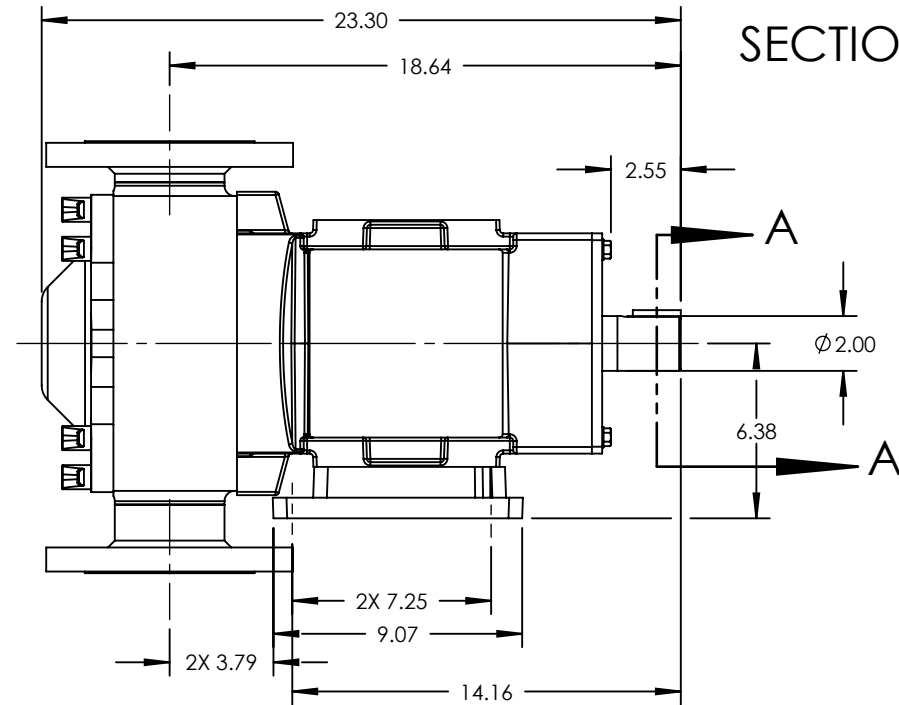


PUMP MODEL	TRA10-2200
ORIENTATION	VERTICAL
COVER	STANDARD
INLET	4.0" ANSI CLASS 150
DISCHARGE	4.0" ANSI CLASS 150
SPECIALS	EXTENDED FLANGE



SECTION A-A



NOTES:  
1. THIS IS NOT A CERTIFIED DRAWING. USE FOR GENERAL INSTALLATION ONLY.

STATE	Released	07/07/2020	DIMENSIONS ARE IN INCHES
DRAWN	DJaramillo	6/22/2020	
CHECKED	CJN	07/07/2020	PROJECT:
			WAS:



THIS DRAWING IS THE PROPERTY OF WRIGHTFLOW TECHNOLOGIES AND IS PROPRIETARY IN GENERAL AND DETAIL. IT SHALL NOT BE COPIED OR ITS CONTENTS REVEALED TO OUTSIDE PARTIES WITHOUT THE WRITTEN CONSENT OF WRIGHTFLOW TECHNOLOGIES

3D

DWG. NO. TRA10-2200-019

SHEET 1 OF 1

REV. A.0

07/07/2020