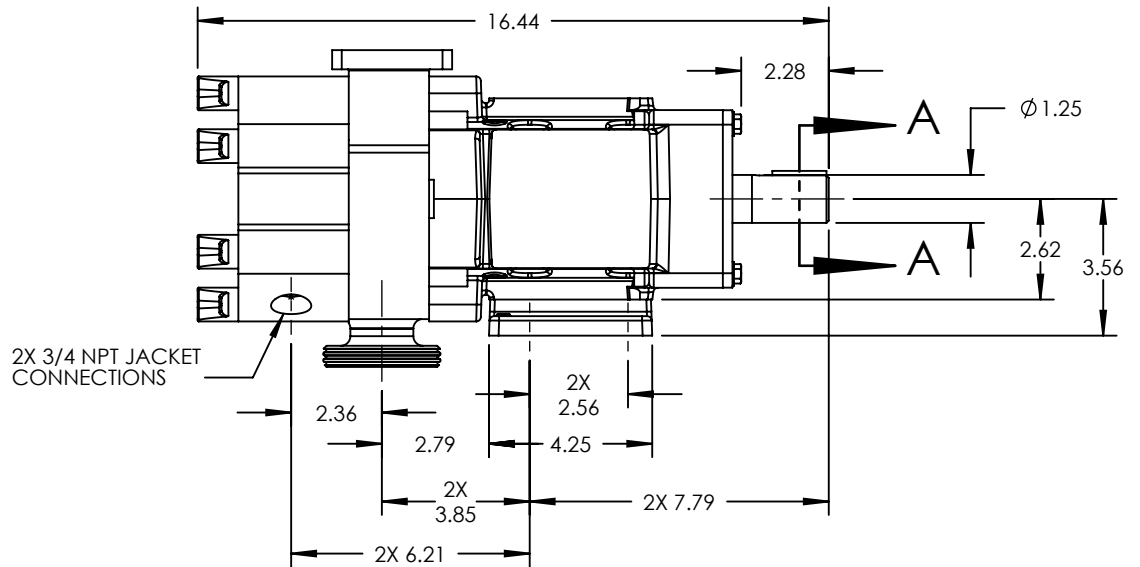
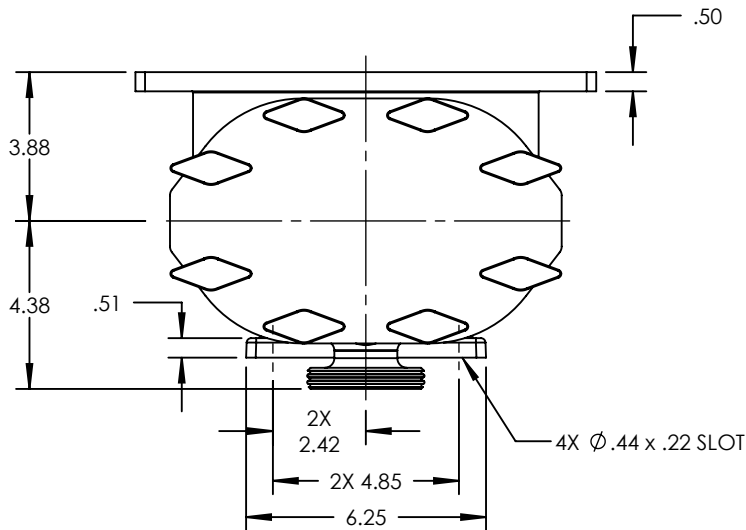
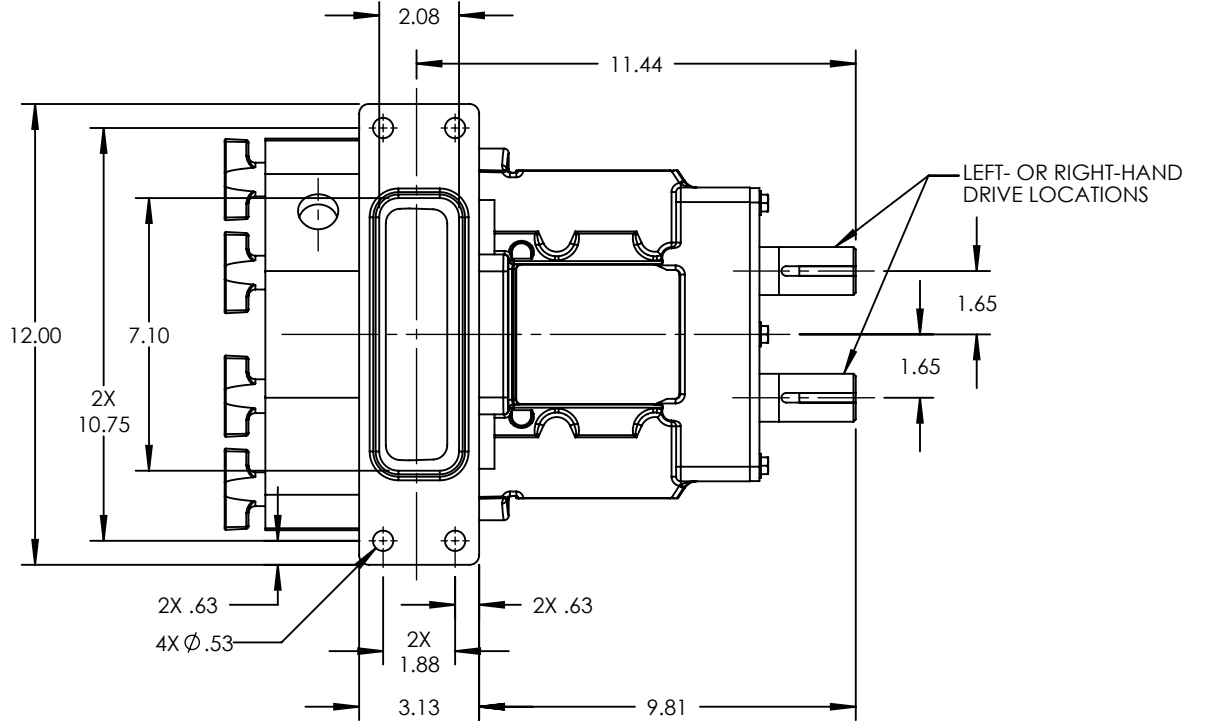
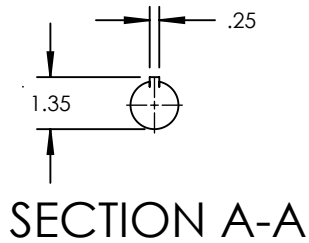


PUMP MODEL	TRA10-0340
ORIENTATION	VERTICAL
COVER TYPE	JACKETED
INLET	RECTANGULAR FLANGE
DISCHARGE	2.0" DIN 11851
SPECIALS	NONE



NOTES:
 1. THIS IS NOT A CERTIFIED DRAWING. USE FOR GENERAL INSTALLATION ONLY.

STATE	Released	04/24/2014	DIMENSIONS ARE IN INCHES		Wrightflow Technologies, A Unit of IDEX Corporation Cedar Falls, IA 50613 U.S.A. Eastborne, East Sussex, BN23 6PT UK	THIS DRAWING IS THE PROPERTY OF WRIGHTFLOW TECHNOLOGIES AND IS PROPRIETARY IN GENERAL AND DETAIL. IT SHALL NOT BE COPIED OR ITS CONTENTS REVEALED TO OUTSIDE PARTIES WITHOUT THE WRITTEN CONSENT OF WRIGHTFLOW TECHNOLOGIES	3D	DWG. NO.	SHEET 1 OF 2	REV. A.0
DRAWN	cneff	4/21/2014						PROJECT:	TRA10-0340-011	
CHECKED	JDP	04/24/2014	WAS:							

