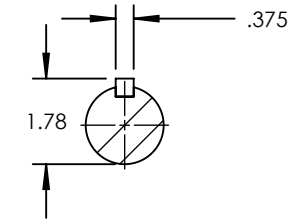
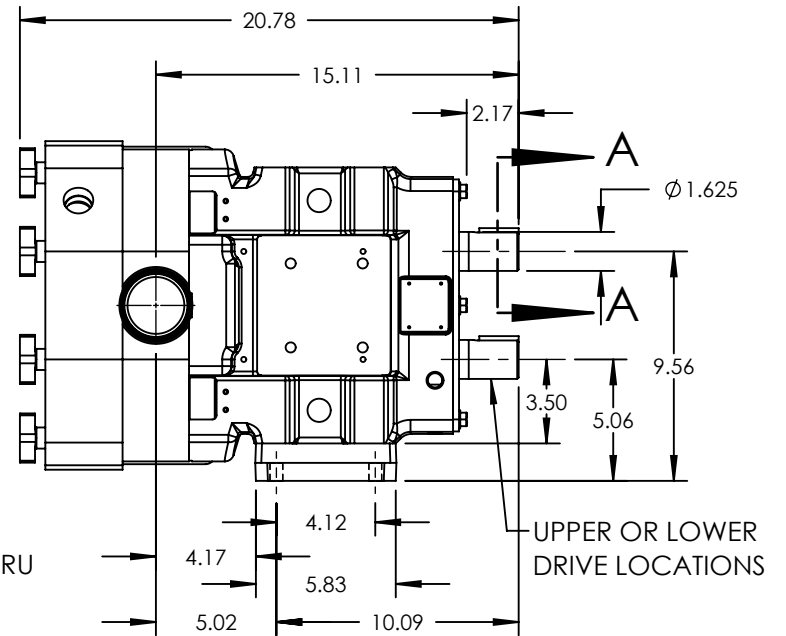
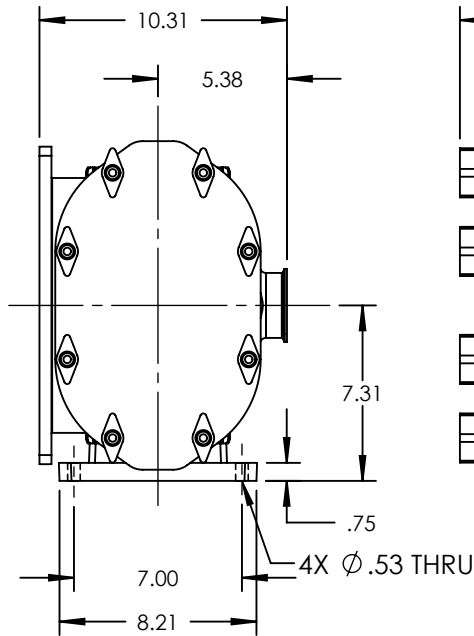
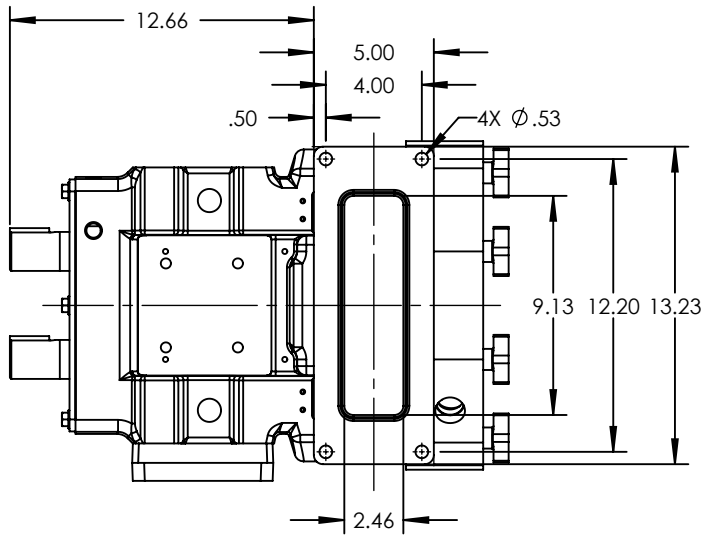


PUMP MODEL	TRA10-0640
ORIENTATION	HORIZONTAL
COVER	JACKETED
INLET	RECTANGULAR FLANGE
DISCHARGE	2.5" TRI-CLAMP
SPECIALS	NONE



VIEW A-A  
SCALE 1 : 4



NOTES:  
1. THIS IS NOT A CERTIFIED DRAWING. USE FOR GENERAL INSTALLATION ONLY.

STATE	Released	09/27/2019	DIMENSIONS ARE IN INCHES		<small>Wrightflow Technologies, A Unit of IDEX Corporation Cedar Falls, IA 50613 U.S.A. Eastborne, East Sussex, BN23 6PT UK</small>	<small>THIS DRAWING IS THE PROPERTY OF WRIGHTFLOW TECHNOLOGIES AND IS PROPRIETARY IN GENERAL AND DETAIL. IT SHALL NOT BE COPIED OR ITS CONTENTS REVEALED TO OUTSIDE PARTIES WITHOUT THE WRITTEN CONSENT OF WRIGHTFLOW TECHNOLOGIES</small>	<b>3D</b>	DWG. NO.	SHEET 1 OF 2	REV. A.0
DRAWN	DJaramillo	9/27/2019						PROJECT:	TRA10-0640-017	
CHECKED	JDP	09/27/2019	WAS:							

