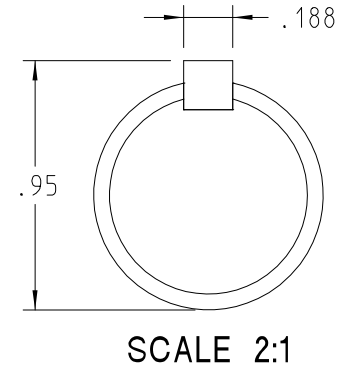
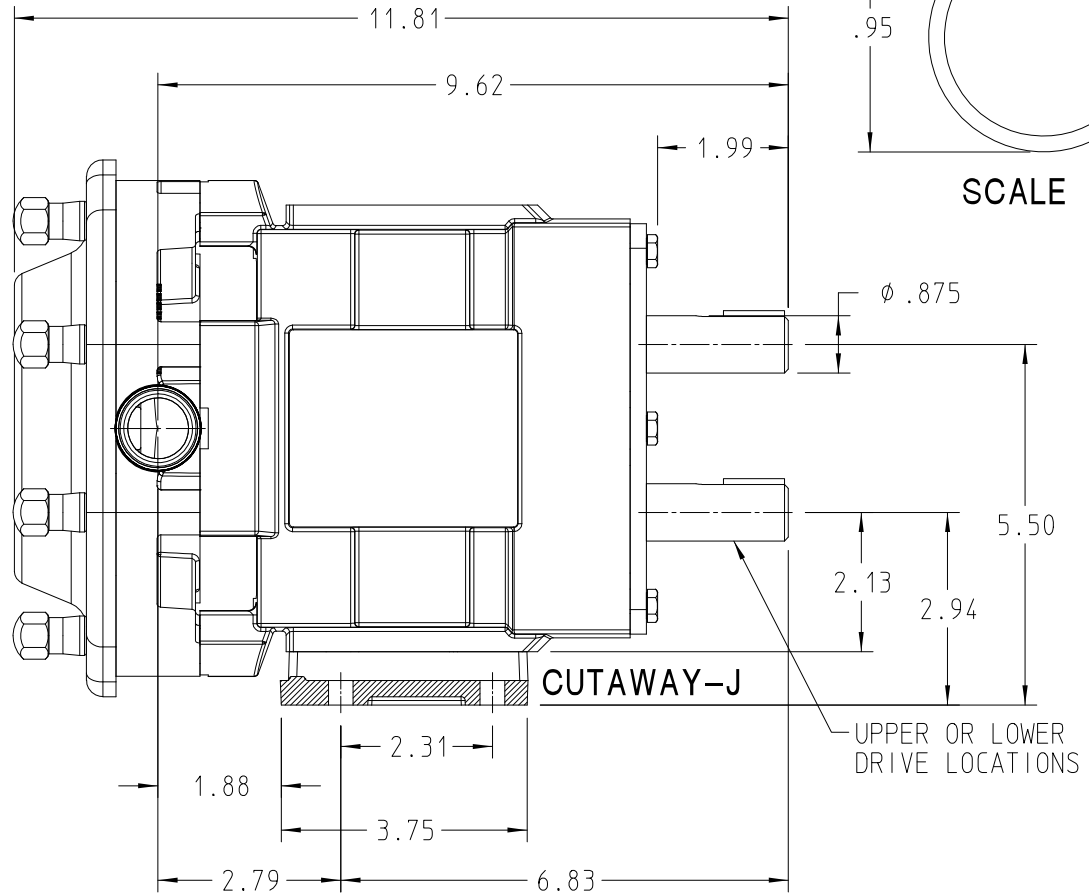
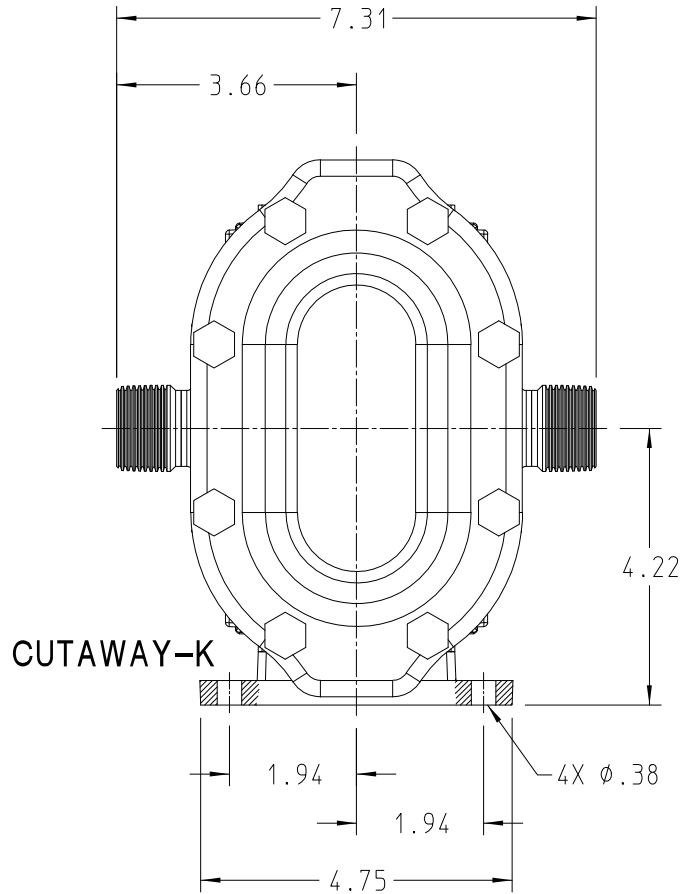


GENERAL ARRANGEMENT DETAILS

PUMP MODEL	TRA20-0060	INLET	1.00 INCH NPT (MALE)
ORIENTATION	HORIZONTAL	OUTLET	1.00 INCH NPT (MALE)
COVER TYPE	STANDARD	SPECIALS	NONE



THIS IS NOT A CERTIFIED DRAWING, USE FOR GENERAL INSTALLATION ONLY
 PUMP SHOWN WITH TRI-CLAMP CONNECTIONS, FOR OTHER CONNECTIONS CONTACT FACTORY

USE & RELATED INFORMATION
 Created from OSDM

THIS DRAWING IS THE PROPERTY OF
 WRIGHT PUMP AND IS PROPRIETARY
 IN GENERAL AND DETAIL. IT SHALL NOT
 BE COPIED OR ITS CONTENTS REVEALED
 TO OUTSIDE PARTIES WITHOUT WRITTEN
 CONSENT OF WRIGHT PUMP

DRAWN	MIHM	12 JAN 2010
CHECKED	CJM	12 JAN 2010
APPROVED		
SCALE 3 = 4		INCH DIM.

wrightflow
 TECHNOLOGIES

A Unit of
DEX
 CORPORATION
 Muskego, WI 53150
 U.S.A.

TRA20 MODEL 0060

DRAWING NUMBER TRA20-00600-006

THIRD ANGLE
 PROJECTION

REV A
 12 JAN 2010