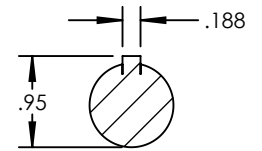
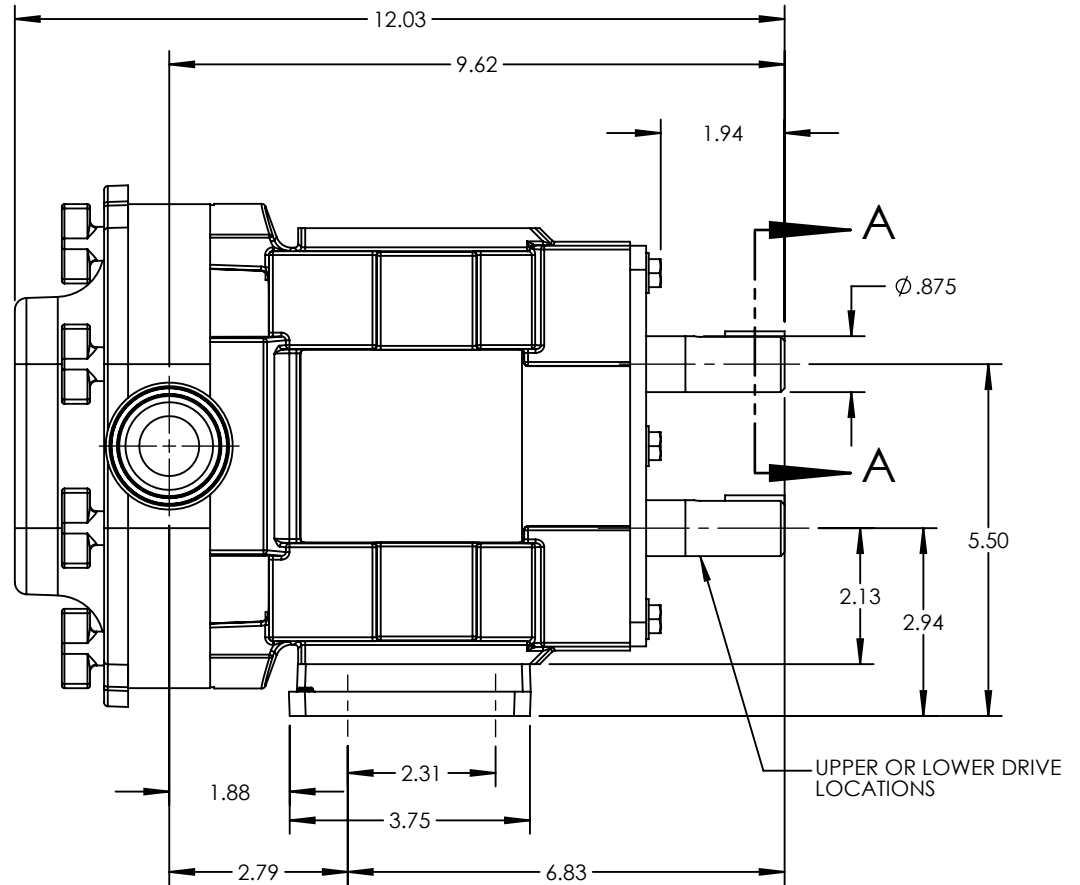
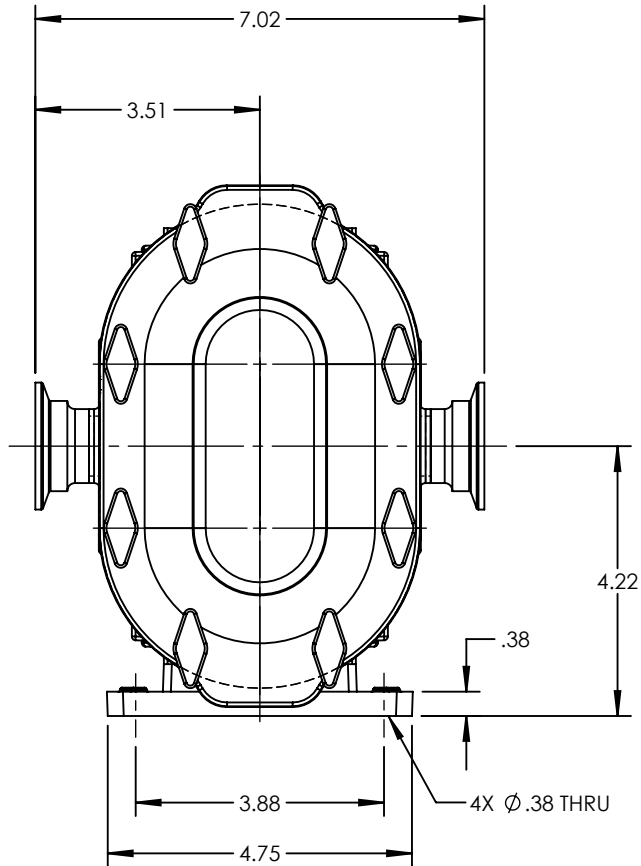


PUMP MODEL	TRA10-0150
ORIENTATION	HORIZONTAL
COVER	STANDARD
INLET	1.5" TRI-CLAMP
DISCHARGE	1.5" TRI-CLAMP
SPECIALS	NONE



SECTION A-A  
SCALE 1 : 2



NOTES:

- THIS IS NOT A CERTIFIED DRAWING. USE FOR GENERAL INSTALLATION ONLY.

STATE	Released	04/20/2022	DIMENSIONS ARE IN INCHES		<b>VIKING PUMP, INC.</b> A Unit of IDEX Corporation Cedar Falls, IA 50613 U.S.A. VIKINGPUMP.COM	THIS DRAWING IS THE PROPERTY OF VIKING PUMP, INC. AND IS PROPRIETARY IN GENERAL AND DETAIL. IT SHALL NOT BE COPIED OR ITS CONTENTS REVEALED TO OUTSIDE PARTIES WITHOUT THE WRITTEN CONSENT OF VIKING PUMP, INC.	<b>3D</b>	DWG. NO.	SHEET 1 OF 1	REV. B.1
DRAWN	cneff	10/8/2013						PROJECT:	TRA10-0150-014	04/20/2022
CHECKED	CJM	04/20/2022						WAS:		