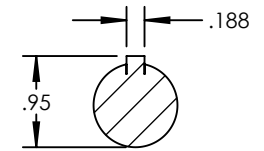
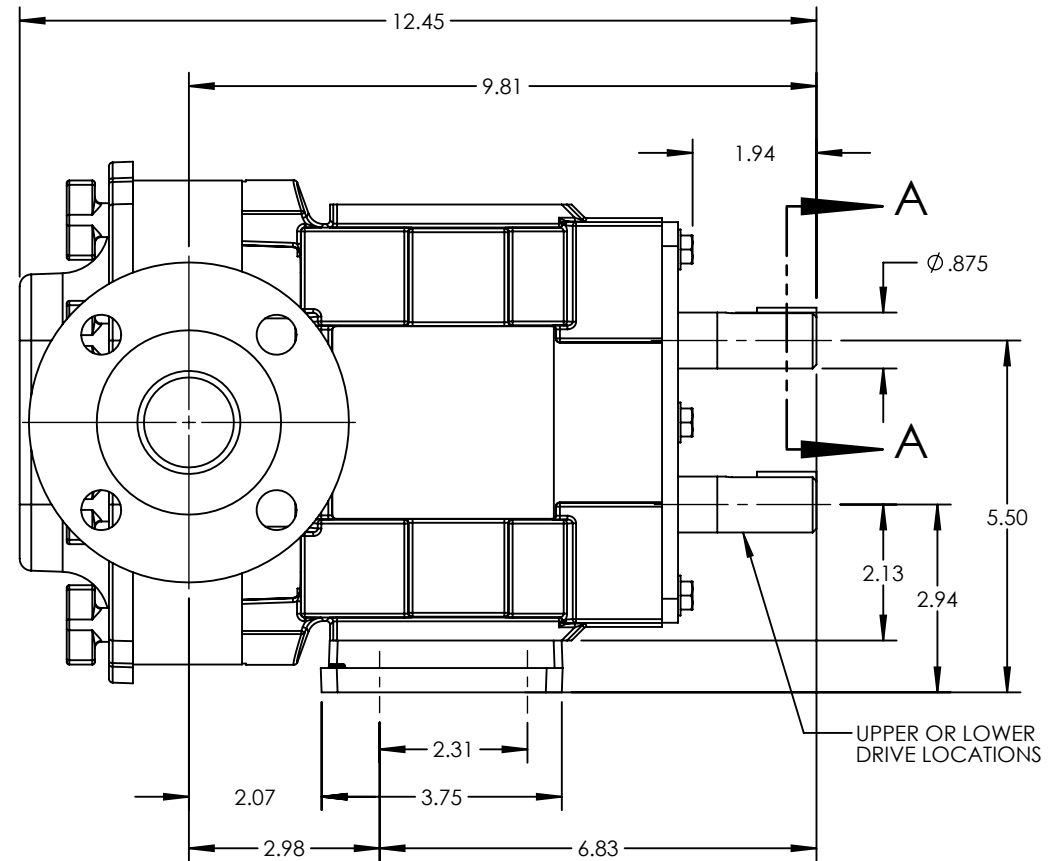
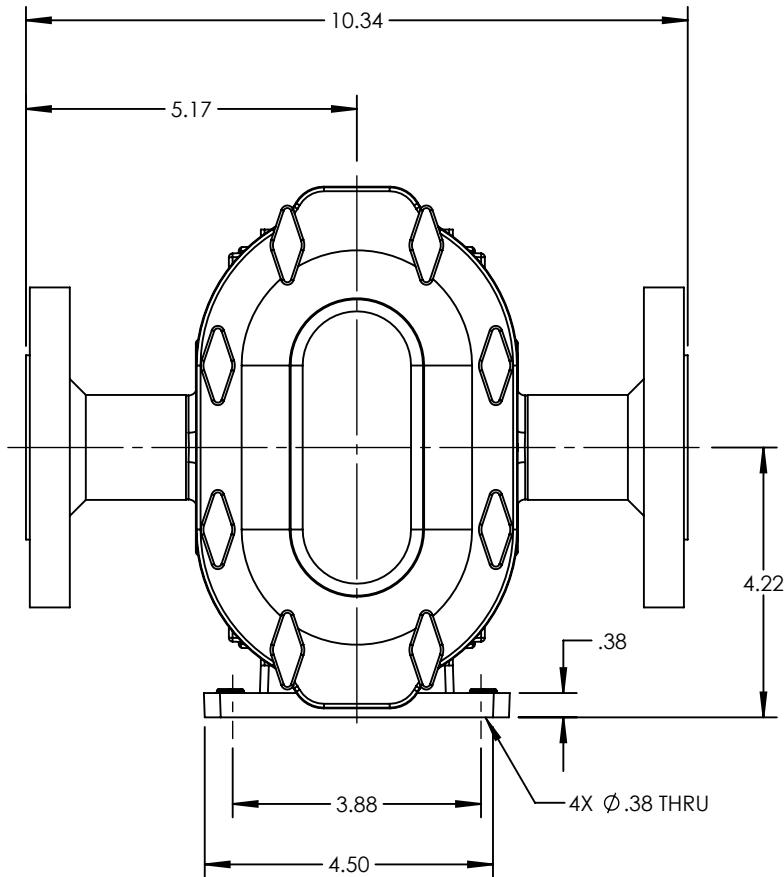


| | |
|-------------|---------------------|
| PUMP MODEL | TRA10-0180 |
| ORIENTATION | HORIZONTAL |
| COVER | STANDARD |
| INLET | 1.5" ANSI CLASS 150 |
| DISCHARGE | 1.5" ANSI CLASS 150 |
| SPECIALS | NONE |



SECTION A-A
SCALE 1 : 2



NOTES:

1. THIS IS NOT A CERTIFIED DRAWING. USE FOR GENERAL INSTALLATION ONLY.

| | | |
|---------|----------|------------|
| STATE | Released | 03/26/2024 |
| DRAWN | cneff | 6/20/2013 |
| CHECKED | MEW | 03/26/2024 |

| | |
|--------------------------|--|
| DIMENSIONS ARE IN INCHES | |
| PROJECT: | |
| WAS: | |



VIKING PUMP, INC.
A Unit of IDEX Corporation
Cedar Falls, IA 50613 U.S.A.
VIKINGPUMP.COM

THIS DRAWING IS THE PROPERTY OF VIKING PUMP, INC. AND IS PROPRIETARY IN GENERAL AND DETAIL. IT SHALL NOT BE COPIED OR ITS CONTENTS REVEALED TO OUTSIDE PARTIES WITHOUT THE WRITTEN CONSENT OF VIKING PUMP, INC.

3D

DWG. NO. TRA10-0180-029

SHEET 1 OF 1

REV. B.0

03/26/2024